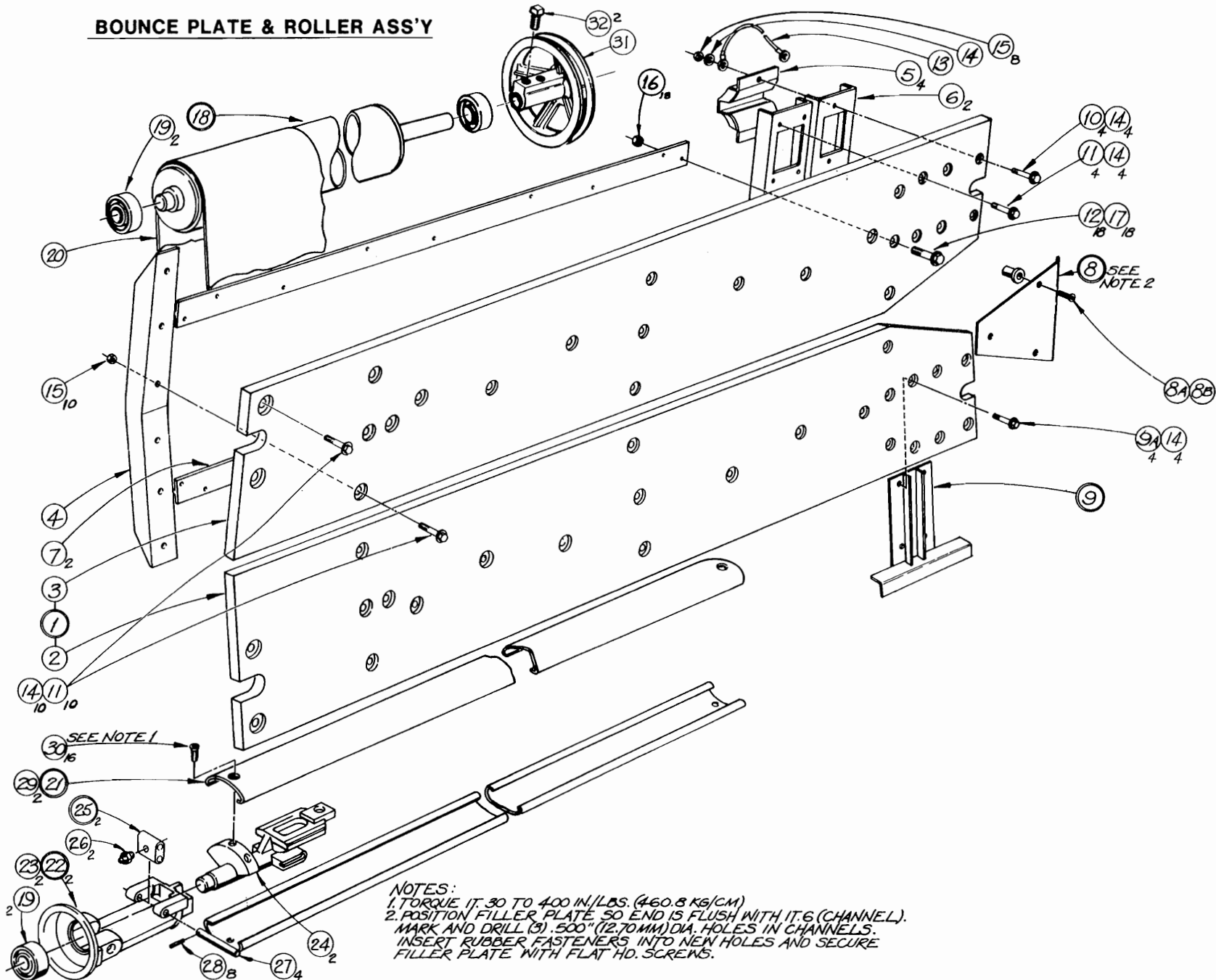


BOUNCE PLATE & ROLLER ASSY'S.

ITEM	PART NUMBER	DESCRIPTION	ITEM	PART NUMBER	DESCRIPTION
1	000 021 420	Bounce Plate Ass'y. - R.H. - Shown	13	000 025 622	Bonding Strap
1a	000 029 656	Bounce Plate Ass'y. L.H. - Not Shown	14	948 753 102	Washer - $\frac{5}{8}$ O.D. x $\frac{9}{32}$ I.D. x $\frac{1}{16}$ THK.
2	000 029 899	Bounce Plate - Front - R.H. - Shown	15	844 049 002	Locknut, Stover - $\frac{1}{4}$ -20-Cr. C Cap Pl.
2a	000 029 925	Bounce Plate - Front - L.H. - Not Shown	16	844 057 002	Locknut, Stover - $\frac{5}{16}$ -18-Gr. C
3	000 029 924	Bounce Plate - Rear - R.H. - Shown	17	948 761 112	Washer - $\frac{1}{16}$ O.D. x $\frac{1}{32}$ I.D. x $\frac{1}{16}$ THK.
3a	000 029 926	Bounce Plate - Rear - L.H. - Not Shown	18	070 002 034	Rear Roller Ass'y.
4	000 029 626	Angle Support	19	000 024 590	Bearing
5	000 021 224	Vibration Dampener	20	000 026 753	Carpet Belt
6	000 021 914	Channel	21	000 024 576	Front Roller Ass'y.
7	000 029 898	Reinforcement Bar (40.5")	22	000 024 592	Hinge Ass'y.
8	070 007 846	Kit, Field-Filler Plate	23	000 024 579	Hinge Roller
8a	808 849 160	Screw, Flat Hd. Soc. Cap. $\frac{1}{4}$ -20 x 1"	24	000 024 580	Shaft - Hinge
8b	070 007 847	Rubber Fastener "Well Nut" #D1420	25	000 024 597	Link Ass'y.
9	610 704 014	Kit-Ball Idling Brk't.	26	710 501 002	Alemite Fitting
9a	809 849 325	Screw Hex Hd. $\frac{1}{4}$ -20 x 2 Gr. 8	27	000 024 582	Roller Pin
10	809 849 205	Hx. Hd. Cap Scr. - $\frac{1}{4}$ -20 x $1\frac{1}{4}$ Gr. 8	28	913 411 100	Esna Roll Pin .078 x $\frac{5}{8}$
11	809 849 165	Hx. Hd. Cap Scr. - $\frac{1}{4}$ -20 x 1" Gr. 8	29	000 024 578	Roller Body
12	809 857 205	Hx. Hd. Cap Scr. - $\frac{5}{16}$ -18 x $1\frac{1}{4}$ "-Gr. 8	30	000 025 662	Nyloc Screw
			31	070 002 097	Carpet Pulley
			32	806 265 160	Sq. Hd. Scr. Cup Pt. - $\frac{3}{8}$ -16 x 1

BOUNCE PLATE & ROLLER ASS'Y



NOTES:
 1. TORQUE IT. 30 TO 400 IN./LBS. (460.8 KG/CM)
 2. POSITION FILLER PLATE SO END IS FLUSH WITH IT. 6 (CHANNEL).
 MARK AND DRILL (3) .500" (12.70MM) DIA. HOLES IN CHANNELS.
 INSERT RUBBER FASTENERS INTO NEW HOLES AND SECURE
 FILLER PLATE WITH FLAT HD. SCREWS.