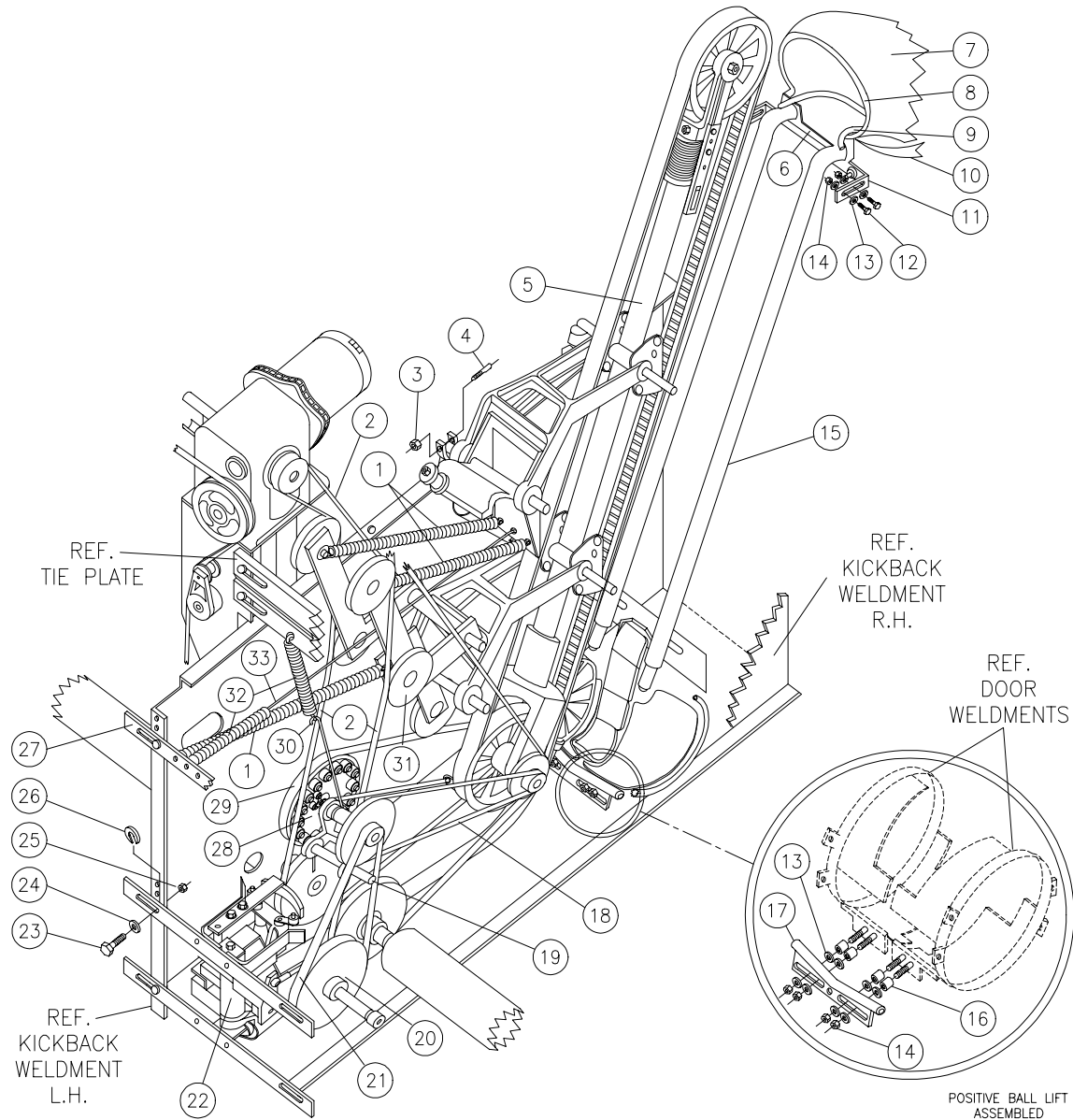


POSITIVE BALL LIFT (PBL) - ASSEMBLED





POSITIVE BALL LIFT (PBL) - ASSEMBLED

ITEM	QTY	PART #	DESCRIPTION
1	3	000-024-673	SPRING
2	2	090-004-520	V- BELT, CARPET DRIVE
3	6	831-565-002	NUT, HEX, 3/8 - 16
4	6	000-024-610	CLAMP STUD
5	1	070-011-052	BALL LIFT ASSEMBLY (see next illustration)
6	1	000-021-813	WIPER SUPPORT
7	1	070-004-669	BALL WIPER CLOTH
8	2	000-021-814	WIPER CLOTH RING
9	1	000-029-629	DOWN SWEEP WELDMENT
10	1	070-004-670	DUST TRAP
11	4	070-004-654	TRACK SUPPORT BRACKET
12	8	809-865-285	SCREW, HEX, 3/8 - 16 X 1-3/4
13	74	948-767-132	WASHER, 13/32 X 13/16 X 1/16
14	20	844-065-002	NUT, STOVER LOCK, 3/8 - 16
15	1	070-011-414	TRACK RAIL ASSEMBLY
16	4	070-008-212	SPACER
17	1	070-008-207	RAIL WELDMENT
18	1	070-011-148	V- BELT, PADDLE DRIVE, UPPER
19	1	090-002-015	BELT TENSIONER ASSEMBLY
20	1	070-011-178	CRANK ASSEMBLY
21	1	070-011-147	V- BELT, PADDLE DRIVE, LOWER
22	1	070-011-120	LIGHT BALL SENSOR ASSEMBLY
23	12	809-857-165	SCREW, HEX, 5/16 - 18 X 1
24	8	948-761-112	WASHER, 11/32 X 11/16 X 1/16
25	12	844-057-002	NUT, STOVER LOCK, 5/16 - 18
26	14	000-029-910	SHIM

ITEM	QTY	PART #	DESCRIPTION
27	1	070-011-035	STRAP
28	1	070-011-039	RATCHET ASSEMBLY
29	1	070-011-064	V- BELT, RATCHET DRIVE
30	1	090-002-016	SPRING EXTENSION
31	1	070-011-810	BELT TIGHTENER
32	2	000-026-031	SPRING
33	1	070-011-034	EXTENSION ROD