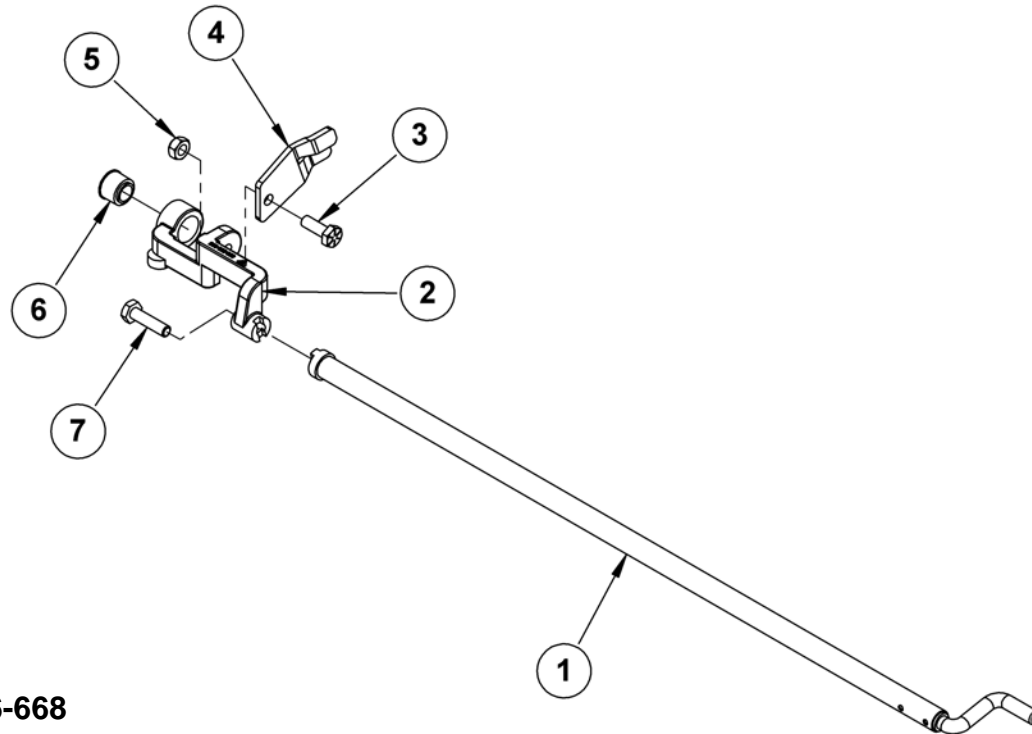




## QubicaAMF XLi EDGE Distributor



**Trip Rod Assembly, 090-006-668**

Item	Part Number	Description
1	090-006-663	Trip Stop Rod Assembly
2	090-006-665	Trip Support Casting
3	809-849-125	Screw, Hex, 1/4-20 x 3/4
4	070-006-691	Trip Arm Stop Blade
5	844-049-002	Nut, 1/4-20, Stover Lock
6	701-712-097	Bearing, Spyralign, Bronze, .375
7	809-849-165	Screw, Hex, 1/4-20 x 1