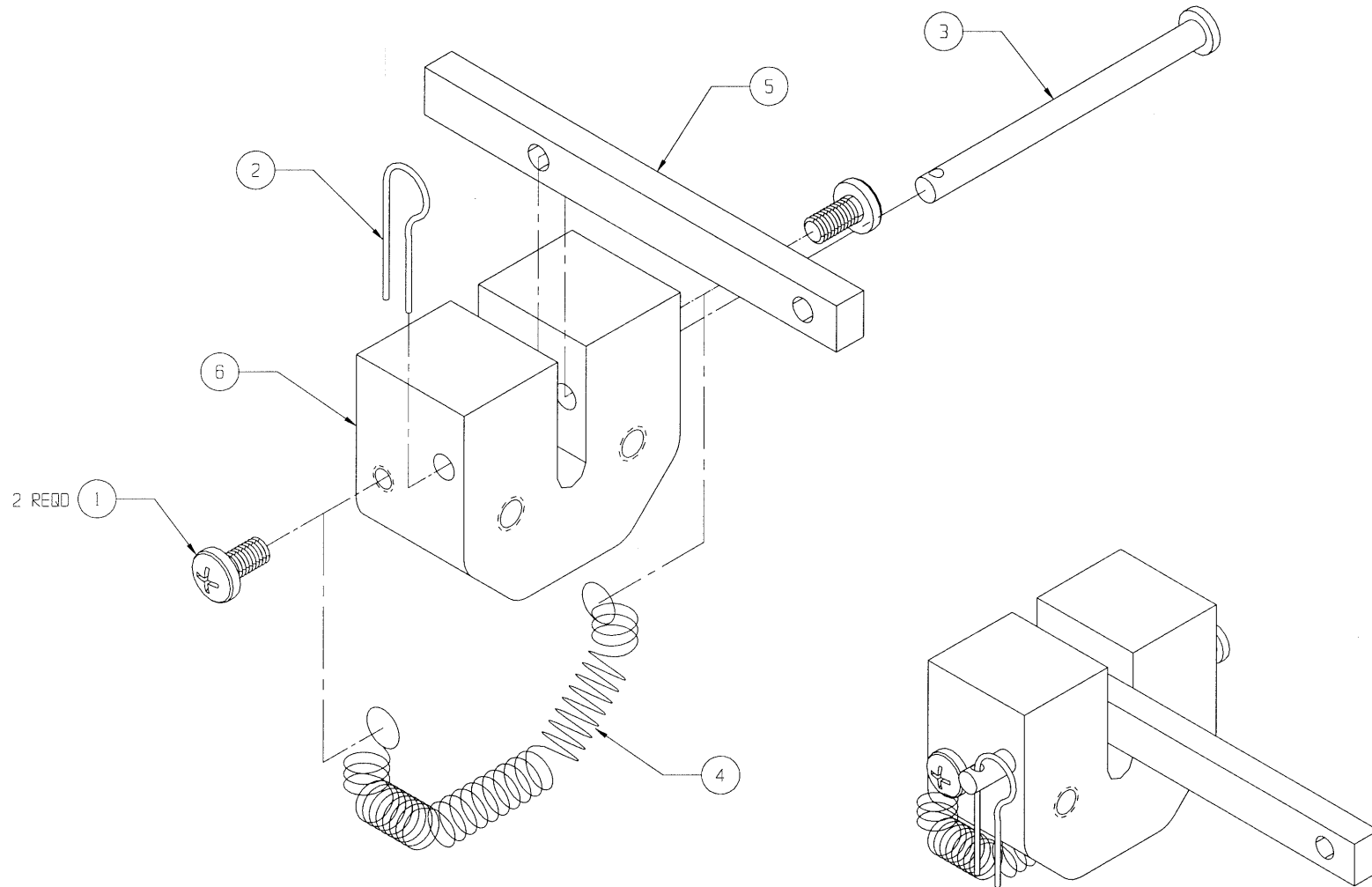


**SA-0321
VACUUM HEAD SLIDE BLOCK MOUNT ASSEMBLY**



SA-0321**VACUUM HEAD SLIDE BLOCK MOUNT ASSEMBLY**

PART NO.	DESCRIPTION	QTY
1	01-019 SCREW, 10-32 X 3/8 PAN HEAD	2
2	01-040 HAIR PIN CLIP, 3/64 X 9/16	1
3	01-162 CLEVIS PIN, 3/16 X 2 1/2	1
4	A-0271 DUSTER SPRING	1
5	A-1055 VACUUM HEAD LINKAGE ARM	1
6	A-8329 SLIDE BLOCK MOUNT	1