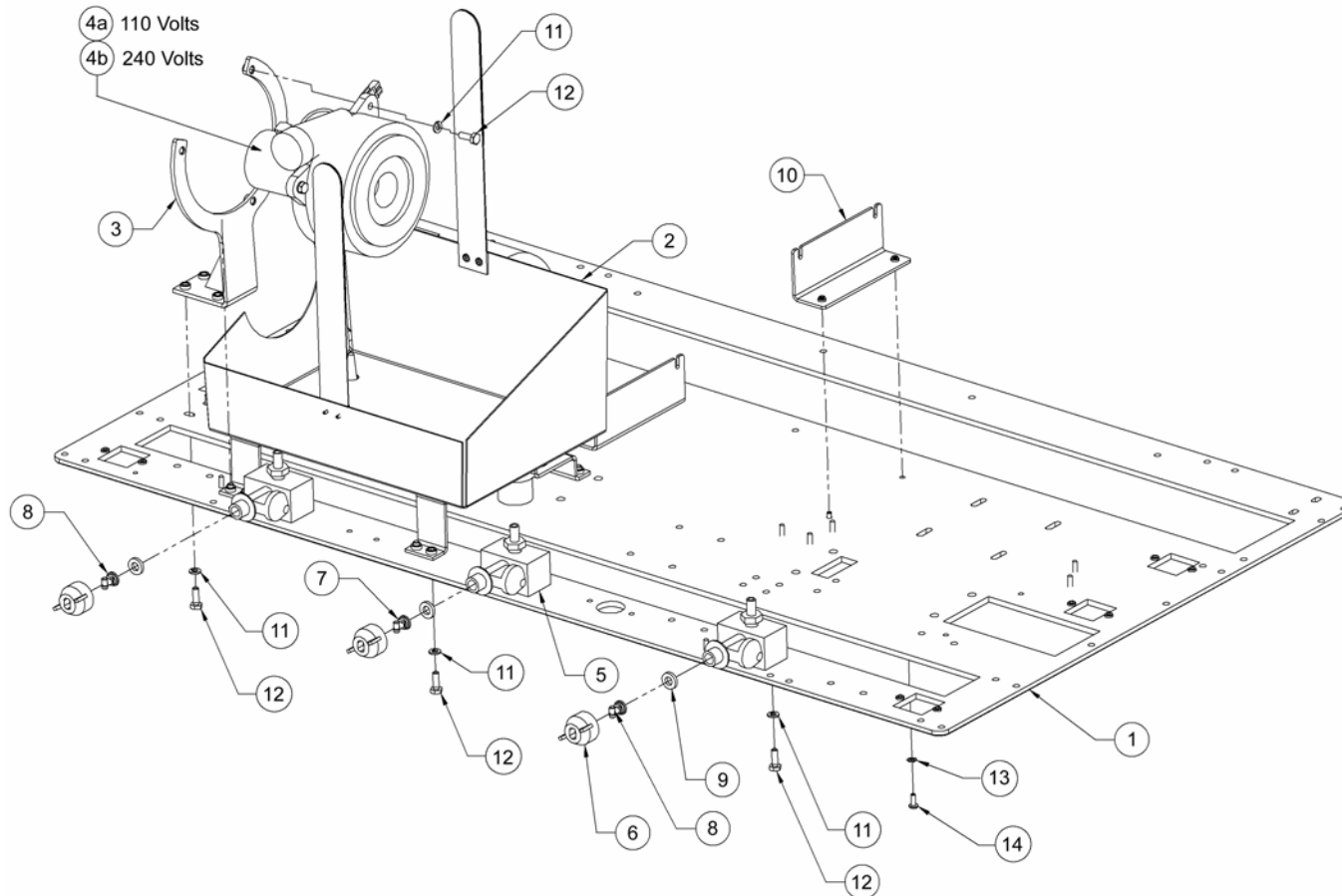


Base Plate Assembly (Page 1 of 4)

	NUMBER	DESCRIPTION
1	294-115-031	Base Plate - Express
2	294-115-233	Waste Tank Guard Assembly
3	294-115-041	Vac Motor Bracket Weldment
4a	294-115-042	110V Vac Motor Assembly
4b	294-115-343	240V Vac Motor Assembly
5	294-115-065	Nozzle Mount Assembly
6	294-115-067	Nozzle Head
7	294-115-069	Nozzle Tip - Green

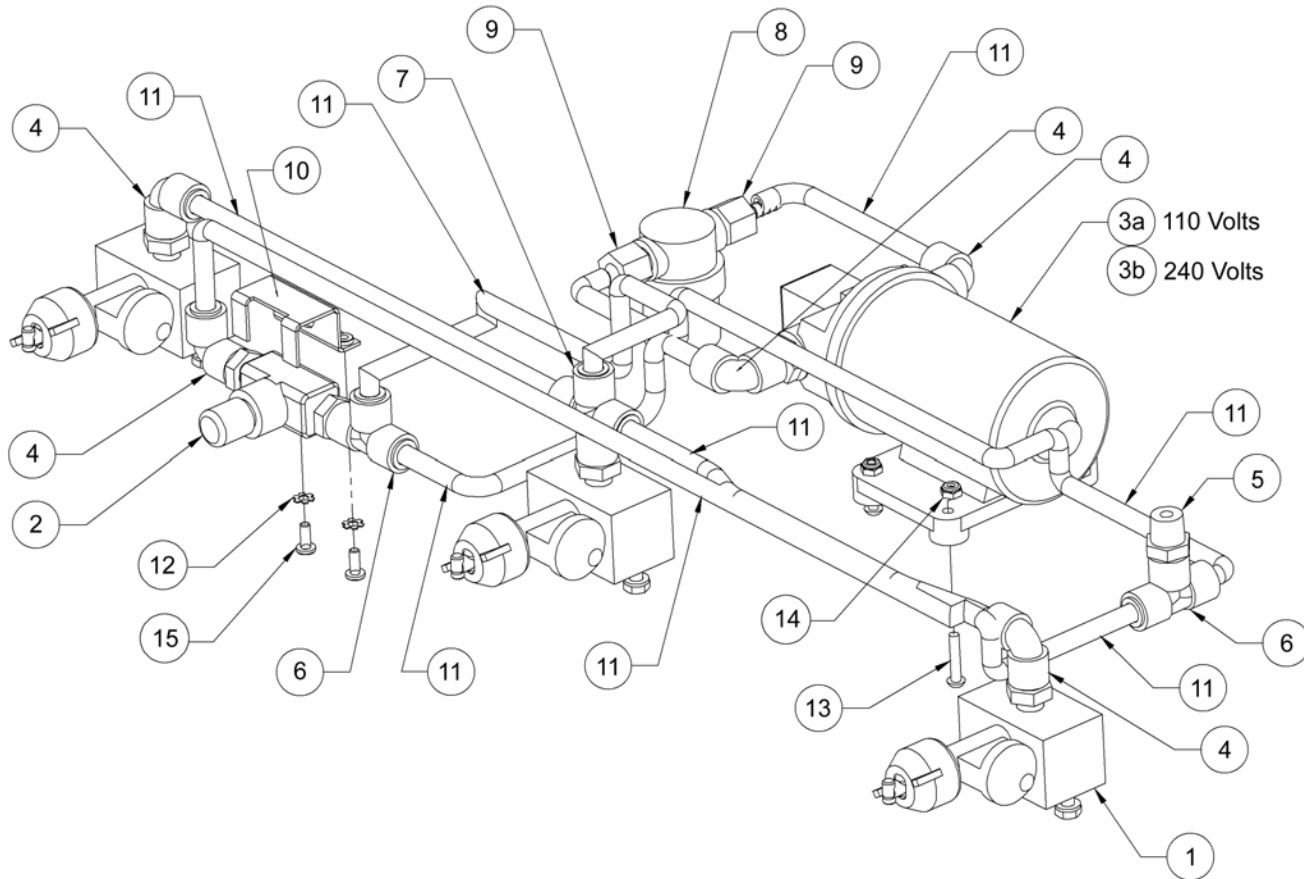
	NUMBER	DESCRIPTION
8	294-115-068	Nozzle Tip - Orange
9	294-115-070	Viton Washer
10	294-115-260	Control Box Mount Assembly
11	01-054	Washer, 1/4, Split, Zinc
12	809-849-125	Screw, 1/4-20 X 3/4, Hex Head, Black
13	01-033	Washer, #10, External Tooth Lock, Zinc
14	01-021	Screw, #10-32 X 1/2, Phillips, Pan Head



Base Plate Assembly (Page 2 of 4)

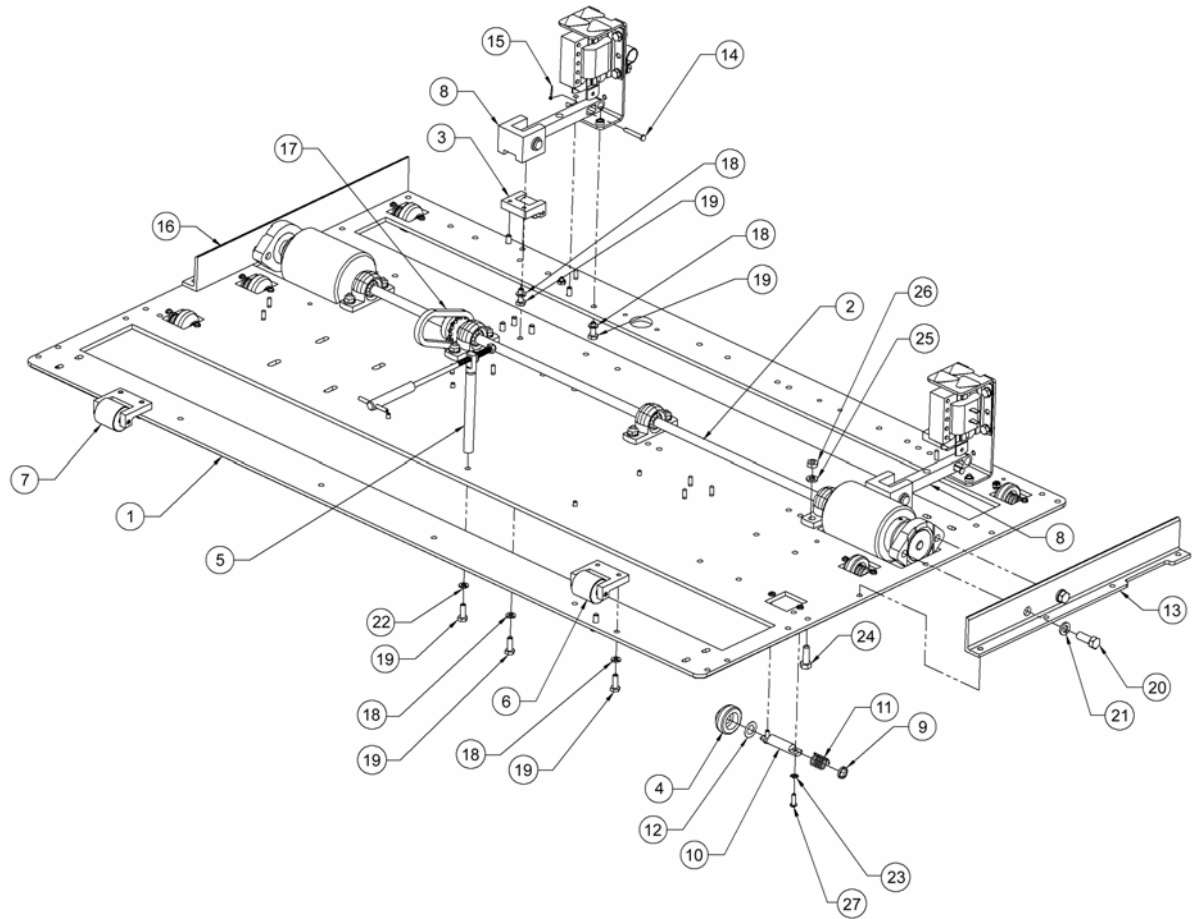
	NUMBER	DESCRIPTION
1	294-115-065	Nozzle Mount Assembly
2	294-115-075	Flow Valve Assembly
3a	02-206	Cleaner Pump, 110V, 60 PSI
3b	294-115-287	Cleaner Pump, 240V
4	294-115-073	Union Elbow - 3/8 X 3/8
5	294-115-072	Stem Adapter, 3/8mpt X 3/8
6	294-115-074	Union Tee - 3/8 X 3/8,
7	294-115-076	Union Cross (4x) 3/8, Quick Connect

	NUMBER	DESCRIPTION
8	04-322	Filter Bowl
9	04-398	Fitting
10	294-115-289	Cleaner Valve Bracket Assembly
11	04-128	Tubing, Tygothane, 3/8 OD X 1/4 ID (specify length in feet)
12	01-033	Washer, #10, External Tooth Lock, Zinc
13	01-024	Screw, #10-32 X 1, Phillips, Round Head, Zinc
14	840-040-002	Nut, #10-32, Flexloc, Zinc
15	01-021	Screw, #10-32 X 1/2, Phillips, Pan Head



Base Plate Assembly (Page 3 of 4)

	NUMBER	DESCRIPTION
1	294-115-031	Base Plate - Express
2	294-115-024	Drive Shaft Assembly
3	SA-3012	Duster End Plate Roller Assembly
4	SA-0244	Guide Wheel Assembly
5	294-115-162	Oil Tank Lift Assembly
6	294-115-079	Idler Wheel Assembly - Buffer Side
7	294-115-078	Idler Wheel Assembly - Drive Side
8	294-115-223	Vac Pivot Block & Arm Assembly
9	A-0025	Guide Roller Washer
10	294-115-058	Guide Roller Axle
11	A-0024	Guider Roller Spring
12	01-161	Phenolic Washer
13	294-115-059	Stiffener Bracket
14	01-495	Pin, 3/16 X 1 1/4, Clevis
15	01-080	Pin, 1/16 X 1/2, Cotter, Zinc
16	294-115-063	Stiffener Bracket - Drive Side
17	294-115-080	Drive Chain
18	01-054	Washer, 1/4, Split, Zinc
19	809-849-125	Screw, 1/4-20 X 3/4, Hex Head, Black
20	809-865-165	Screw, 3/8-16 X 1, Hex Head, Black
21	951-164-002	Washer, 3/8, Split, Black
22	951-148-008	Washer, 1/4, Split, Black
23	01-033	Washer, #10, External Tooth, Zinc
24	809-857-165	Screw, 5/16-18 X 1 Hex Head
25	01-063	Washer, Lock, 5/16 Split
26	01-062	Hex Nut, 5/16-18
27	01-022	Screw, #10-32 X 5/8 Phillips Head



Base Plate Assembly (Page 4 of 4)

	NUMBER	DESCRIPTION
1	294-115-031	Base Plate - Express
2a	294-115-038	110V Buffer Motor Assembly
2b	294-002-270	240V Buffer Motor Assembly
3a	294-115-039	110V Drive Motor Assembly
3b	294-115-326	240V Drive Motor Assembly
4	294-115-321	Drive Wheel Cover Assembly - RH
5	294-115-322	Drive Wheel Cover Assembly - LH
6	294-115-165	Cleaner Tank Assembly
7	294-115-219	Sensor And Mount Assembly
8	A-0409	Buffer Return Spring
9	01-054	Washer, 1/4, Split, Zinc
10	809-849-125	Screw, 1/4-20 X 3/4, Hex Head, Black
11	948-753-102	Washer, 1/4, Flat, Black
12	809-849-165	Screw, 1/4-20 X 1, Hex Head, Gr 8, Black
13	01-051	Nut, 1/4-20, Flexloc, Zinc
14	01-340	Nut, 1/4-20, Jam
15	951-148-008	Washer, 1/4, Split, Black
16	01-033	Washer, #10, External Tooth Lock, Zinc
17	840-040-002	Nut, #10-32, Flexloc, Zinc
18	01-022	Screw, #10-32 X 5/8 Phillips Head
19	01-021	Screw, #10-32 X 1/2, Phillips, Pan Head
20	01-023	Screw, #10-32 X 3/4, Phillips, Pan Head, Zinc

