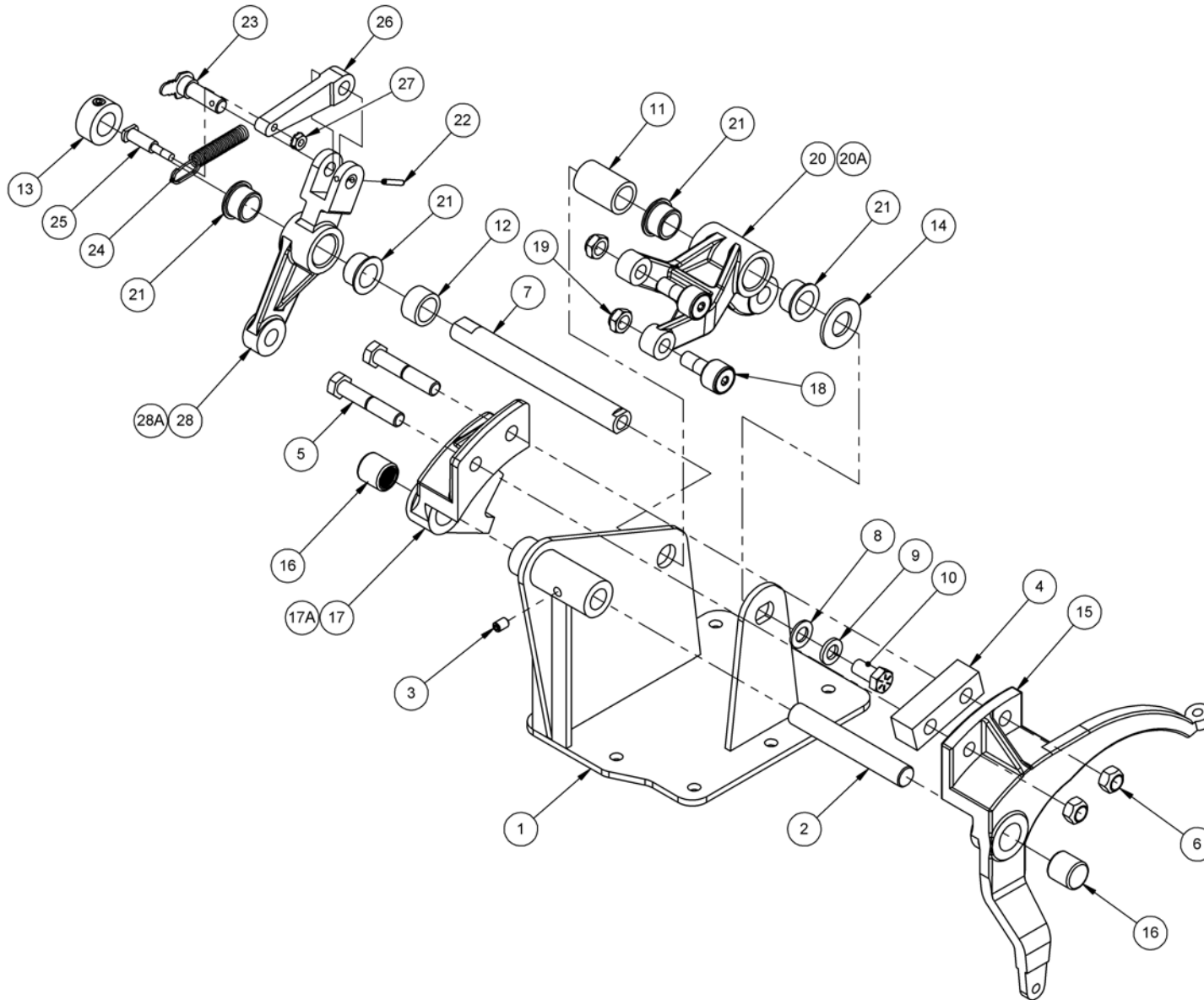


TIE ROD BRACKET ASSEMBLY





TIE ROD BRACKET ASSEMBLY

ITEM	QTY	PART #	DESCRIPTION
1	1	088-005-503	TIE ROD BRACKET
2	1	090-005-521	SHAFT, SHORT SIDE
3	1	807-249-060	SETSCREW, 1/4 - 20 X 3/8
4	1	090-005-520	SPACER
5	2	809-865-325	SCREW, HEX, 3/8 - 16 X 2
6	2	844-065-002	NUT, STOVER LOCK, 3/8 - 16
7	1	090-005-655	SHAFT
8	1	948-767-132	WASHER, FLAT, 13/32 X 13/16 X 1/16
9	1	951-164-002	WASHER, SPLIT LOCK, 3/8
10	1	809-865-125	SCREW, HEX, 3/8 - 16 X 3/4
11	1	090-005-532	SPACER
12	1	090-005-533	SPACER
13	1	000-021-423	COLLAR w/SET SCREW, 5/16-18 X 1/4
14	1	948-680-120	WASHER, FLAT, .656 X 1.312 x .057
15	1	070-002-725	CAM LINK
16	2	070-002-781	NEEDLE BEARING
17	1	070-002-724	SHIFTER LINK
17A	1	070-002-727	SHIFTER LINK & BEARING ASY (incl. 16 & 17)
18	2	070-002-816	CAM FOLLOWER
19	2	840-066-002	NUT, FLEX LOCK, THIN, 3/8 - 24
20	1	070-002-599	SPOT LEVER
20A	1	070-002-578	SPOT LEVER ASSEMBLY (incl. 20 & 21)
21	4	070-002-745	FLANGED BEARING, .6265 X .814 X 1/2
22	1	913-423-120	SPRING PIN
23	1	090-005-631	PIVOT WELDMENT
24	1	070-001-807	RESPOT LEVER SPRING

ITEM	QTY	PART #	DESCRIPTION
25	1	090-005-629	PIN
26	1	070-002-590	FINGER LINK
27	1	843-140-002	NUT, 10 - 32, KEPS
28	1	070-002-589	FINGER LEVER
28A	1	070-002-579	FINGER LEVER ASSY (includes 21 & 28)