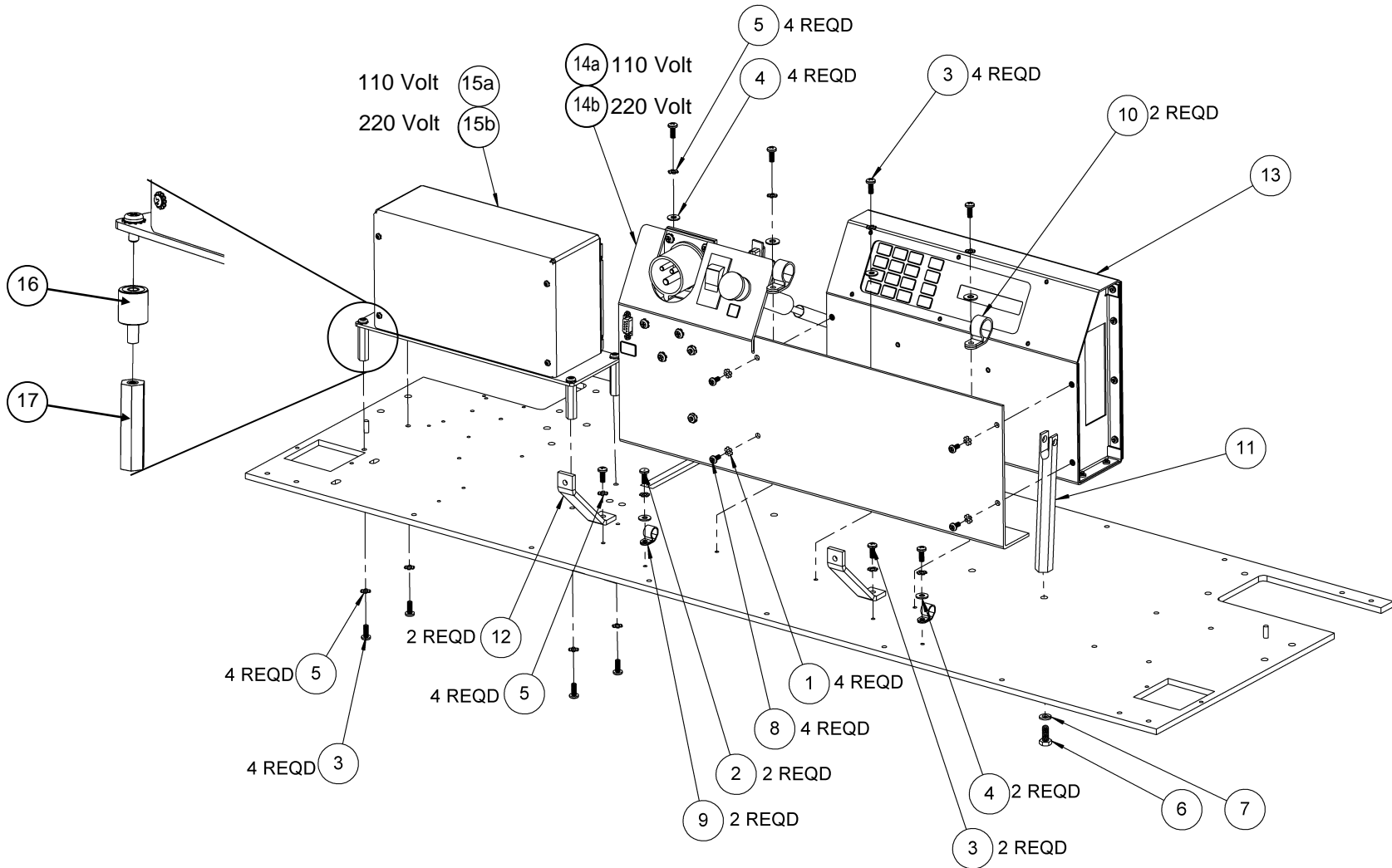


# BASE PLATE ASSEMBLY CONTROL BOX, SPEED CONTROL BOX, DASH



## BASE PLATE ASSEMBLY CONTROL BOX, SPEED CONTROL BOX, DASH

	PART NO.	DESCRIPTION	QTY
1	01-016	LOCK WASHER, #8 EXTERNAL TOOTH	4
2	01-019	SCREW, 10-32 X 3/8 PAN HEAD	2
3	01-021	SCREW, 10-32 X 1/2 PAN HEAD	10
4	01-030	FLAT WASHER, #10 USS	6
5	01-033	LOCK WASHER, #10 EXTERNAL TOOTH	12
6	01-044	SCREW, 1/4-20 X 5/8 HEX HEAD	1
7	01-054	LOCK WASHER, 1/4 SPLIT	1
8	01-302	SCREW, 8-32 X 3/8 HEX HEAD	4
9	02-013	WIRE CLAMP, PLASTIC	2
10	02-086	WIRE CLAMP, PLASTIC	2
11	294-002-003	VERTICAL VACUUM MOTOR MOUNT	1
12	294-002-078	FIREWALL SUPPORT BRACKET	2
13	294-002-529	CONTROL BOX ASSEMBLY	1
14a	294-002-490*	DASH ASSEMBLY, 110 VOLT	1
14b	294-002-421*	DASH ASSEMBLY, 220 VOLT	1
15a	SA-0250	SPEED CONTROL BOX ASSEMBLY (110 Volt)	1
15b	SA-0260	SPEED CONTROL BOX ASSEMBLY (220 Volt)	1
16	294-009-006	VIBRATION ISOLATOR, 10-32, MALE-FEMALE	4
17	04-387	STANDOFF, HEX, 10-32 X 1-1/2	4

\* For more information, refer to the individual part drawing.