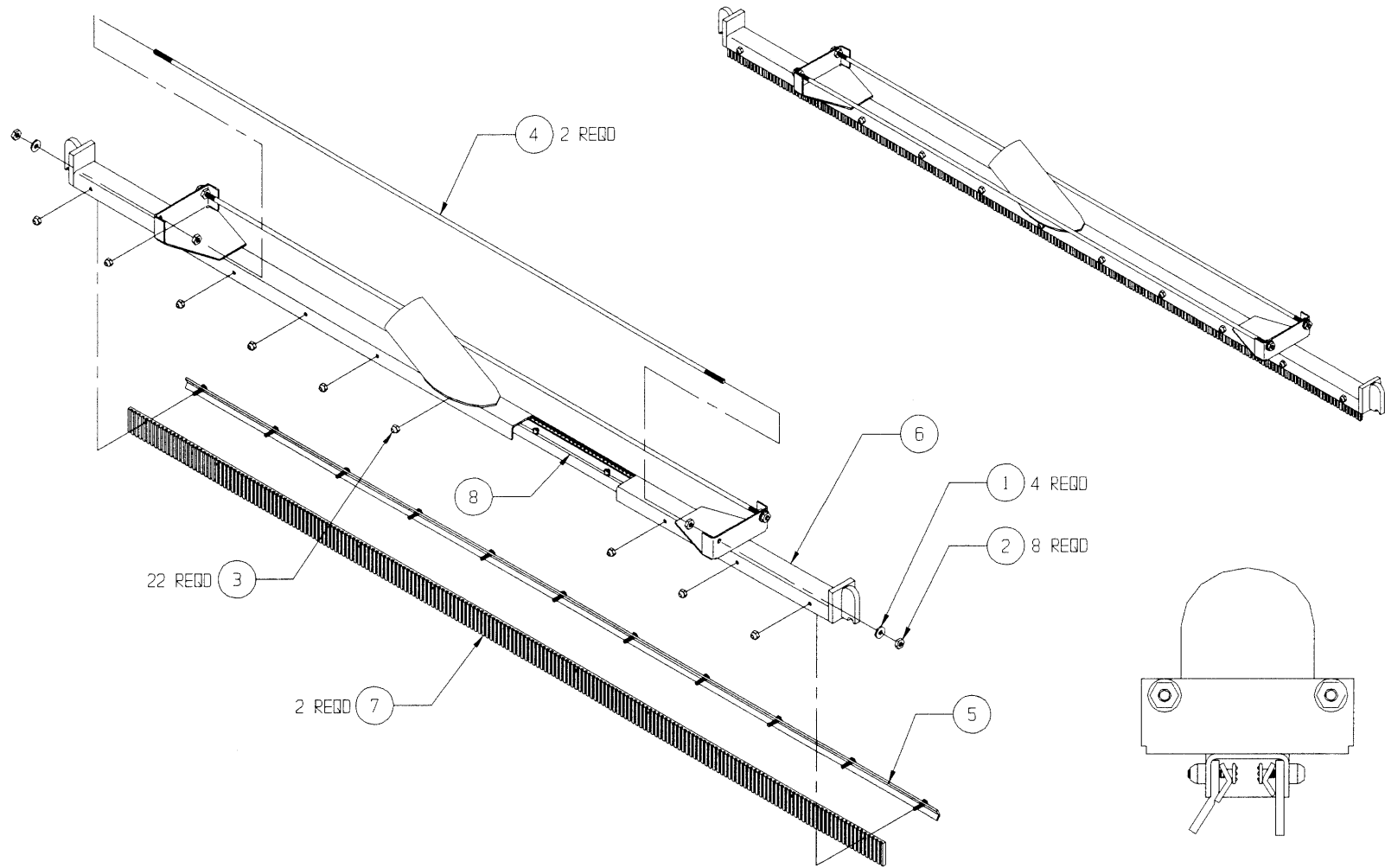


# SA-9032 VAC-HEAD ASSEMBLY



**SA-9032**  
**VAC-HEAD ASSEMBLY**

	<b>PART NO.</b>	<b>DESCRIPTION</b>	<b>QTY</b>
1	01-476	WASHER, #10	4
2	01-032	NUT, 10-32	8
3	01-229	LOCK NUT, 6-32 NYLON INSERT, STAINLESS	22
4	A-8340	VAC-HEAD TENSION ROD	2
5	SA-0283	SQUEEGEE BRACKET WELDMENT, REAR	1
6	SA-9029	VACUUM HEAD WELDMENT	1
7	SV-21	SQUEEGEE	2
8	SV-A4	SQUEEGEE BRACKET WELDMENT, FRONT	1