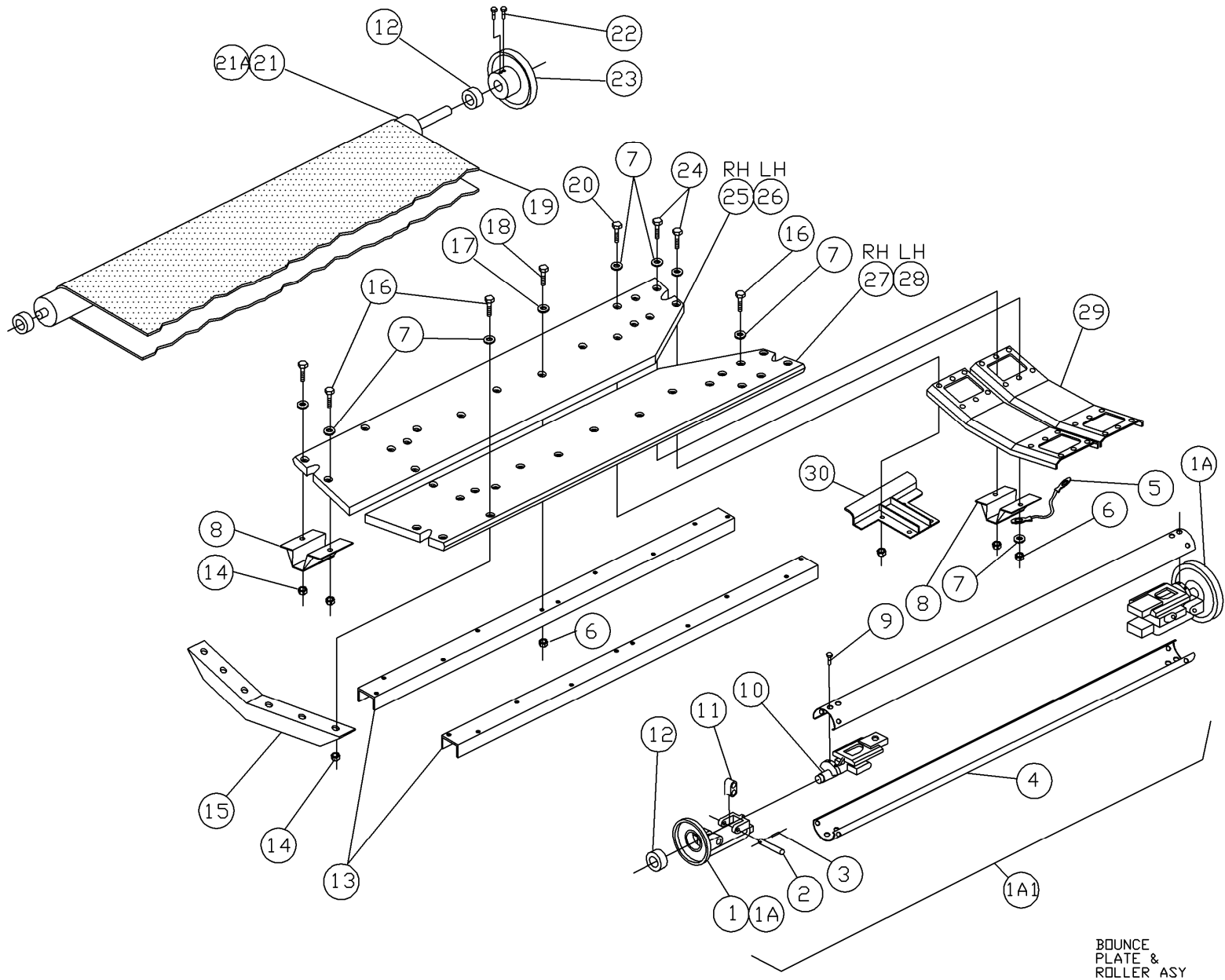


# BOUNCE PLATE & ROLLER ASSEMBLY



BOUNCE  
PLATE &  
ROLLER ASY



## BOUNCE PLATE & ROLLER ASSEMBLY

ITEM	QTY	PART #	DESCRIPTION	ITEM	QTY	PART #	DESCRIPTION
1	2	000-024-579	ROLLER HINGE	24	4	809-849-205	SCREW, HEX, 1/4 - 20 X 1-1/4
1A	2	000-024-592	HINGE ASSY (includes 1, 2, 3, 10, 11 & 12)	25	1	090-005-272	BOUNCE BOARD, REAR, R.H. MACHINE
1A1	1	000-024-576	FRONT ROLLER ASSY (includes 1A, 4 & 9)	26	1	090-005-273	BOUNCE BOARD, REAR, L.H. MACHINE
2	4	000-024-582	PIN	27	1	090-005-270	BOUNCE BOARD, FRONT, R.H. MACHINE
3	8	913-411-100	SPRING PIN, .078 X 5/8	28	1	090-005-271	BOUNCE BOARD, FRONT, L.H. MACHINE
4	2	000-024-578	ROLLER BODY	29	2	000-021-914	BOUNCE BOARD CHANNEL
5	1	000-025-622	BONDING STRAP	30	1	070-007-769	BRACKET WELDMENT
6	18	844-057-002	NUT, STOVER LOCK, 5/16 - 18				
7	23	948-753-102	WASHER, FLAT, .281 X .625 X .06				
8	4	000-021-224	VIBRATION DAMPENER				
9	16	000-025-662	SCREW, NYLON LOCKING				
10	2	000-024-580	SHAFT HINGE				
11	2	000-024-760	LINK				
12	4	000-024-590	BEARING				
13	2	090-005-274	SUPPORT CHANNEL				
14	22	844-049-002	NUT, STOVER LOCK, 1/4 - 20				
15	1	000-029-626	ANGLE SUPPORT				
16	14	809-849-165	SCREW, HEX, 1/4 - 20 X 1				
17	18	948-761-112	WASHER, FLAT, .343 X .625 X .06				
18	18	809-857-205	SCREW, HEX, 5/16 - 18 X 1-1/4				
19	1	088-500-505	CARPET BELT, BLACK				
20	4	809-849-325	SCREW, HEX, 1/4 - 20 X 2				
21	1	070-002-033	REAR ROLLER				
21A	1	070-002-034	REAR ROLLER ASSY (includes 12 & 21)				
22	2	806-265-160	SETSCREW, SQUARE HEAD, 3/8 - 16 X 1				
23	1	090-004-203	82-90 CARPET DRIVE SHEAVE				