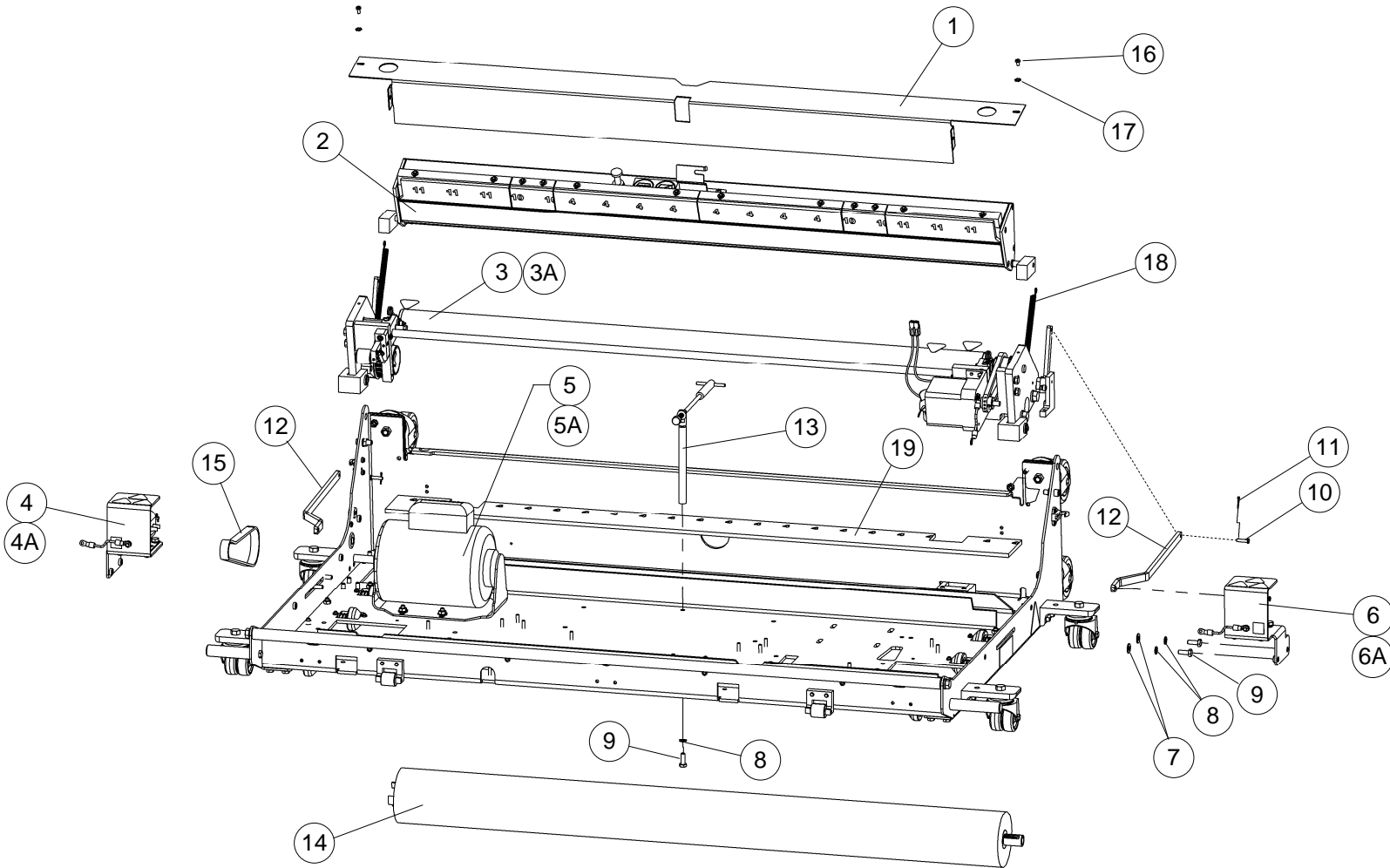


Oiling & Buffing System



Oiling & Buffing System

	NUMBER	DESCRIPTION
1	294-115-572	Buffer Splatter Shield
2	294-115-507	Oil Tank Assembly
3	294-115-607	Transfer Roller Assembly, 110-Volt
3A	294-115-626	Transfer Roller Assembly, 220-Volt
4	294-115-239	Buffer Solenoid & Bracket Assembly, 110-Volt, Right
4A	294-115-273	Buffer Solenoid & Bracket Assembly, 240-Volt, Right
5	294-115-038	Buffer Motor Assembly, 110-Volt
5A	295-115-722	Buffer Motor Assembly, 220-Volt
6	294-115-242	Buffer Solenoid & Bracket Assembly, 110-Volt, Left
6A	294-115-277	Buffer Solenoid & Bracket Assembly, 240-Volt, Left
7	948-753-102	Flat Washer, ¼, Black
8	951-148-008	Washer, ¼, Split, Black
9	809-849-125	Screw, Hex, ¼-20 x ¾, Black
10	01-215	Clevis Pin, 3/16 x 3/4
11	01-080	Cotter Pin, 1/16 x 1/2
12	294-115-664	Buffer Engagement Link
13	294-115-162	Oil Tank Lift Assembly
14	SA-1182	Buffer Tube Assembly
15	294-115-049	Buffer Brush Belt
16	01-019	Screw, Pan Head, 10-32 x 3/8
17	01-033	Washer, #10, External Tooth, Lock
18	294-115-711	Buffer Spring
19	294-115-672	Oil Tank Drip Foam