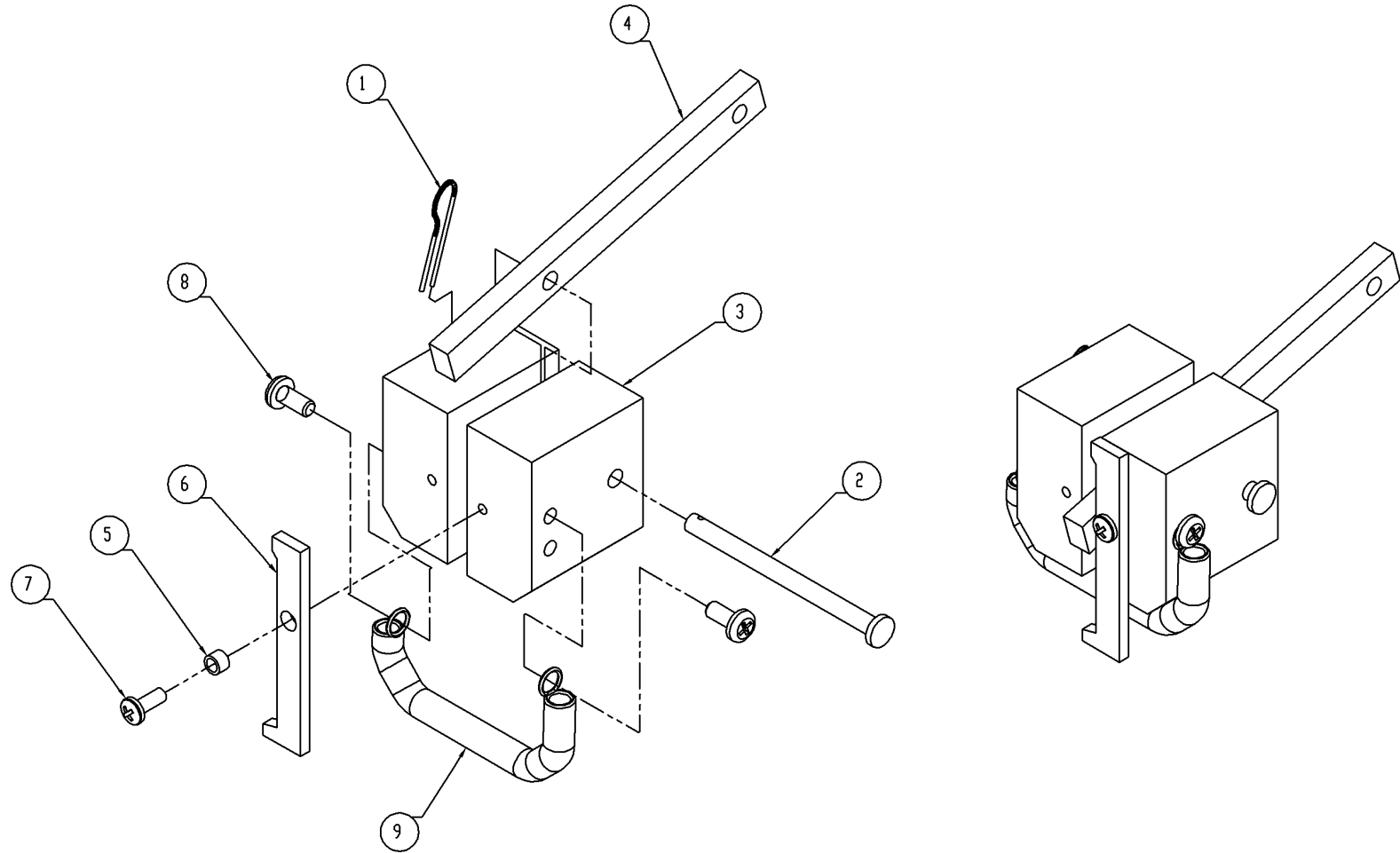


**294-002-482  
CLEANER TRAY MOUNT ASSEMBLY, RIGHT**



**294-002-482****CLEANER TRAY MOUNT ASSEMBLY, RIGHT**

	<b>PART NO.</b>	<b>DESCRIPTION</b>	<b>QTY</b>
1	01-040	PIN, 3/64 X 9/16, HAIR CLIP, ZINC	1
2	01-162	PIN, 3/16 X 2-1/2, CLEVIS	1
3	294-002-480	SLIDE BLOCK MOUNT, CLEANER TRAY	1
4	A-1056	CLEANER LINKAGE ARM	1
5	A-8284	TRAY LOCK PIVOT	1
6	A-8285	TRAY LOCK	1
7	01-186	SCREW, #6-32 X 3/8, PAN HEAD	1
8	01-019	SCREW, #10-32 X 3/8, PHIL, PAN HEAD, ZINC	2
9	A-0271	DUSTER SPRING	1