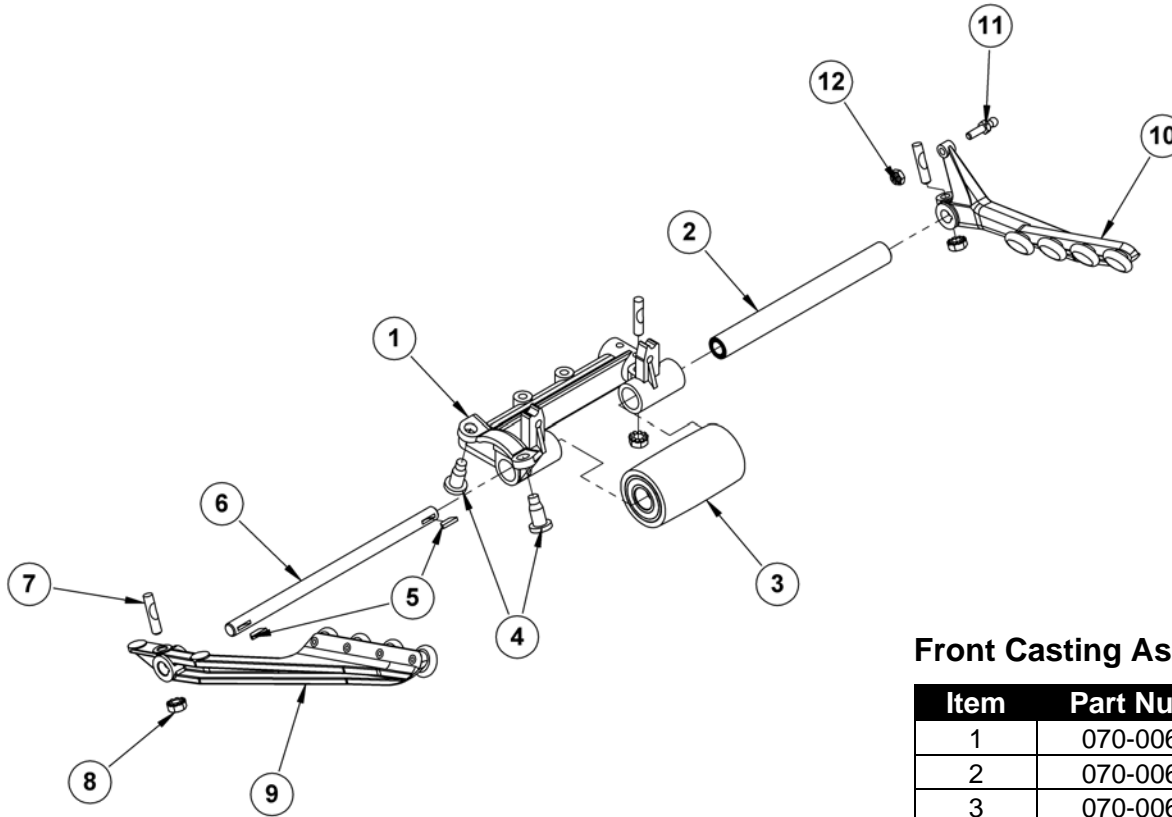




QubicaAMF XLi EDGE Distributor



Front Casting Assembly, Carriage: 070-006-832

Item	Part Number	Description
1	070-006-055	Carriage Casting, Front
2	070-006-021	Tube Assembly, Carriage, Front
3	070-006-011	Pulley Assembly
4	070-006-142	Bumper
5	907-000-100	Key
6	070-006-014	Trip Arm Pivot Shaft
7	070-006-116	Clamp Stud
8	843-149-002	Nut, 1/4-20, Keps
9	070-006-016	Trip Arm Assembly, Left
10	070-006-015	Trip Arm Assembly, Right
11	090-004-111	Ball Stud, #10-32 x .56
12	840-040-002	Nut, #10-32, Flexloc