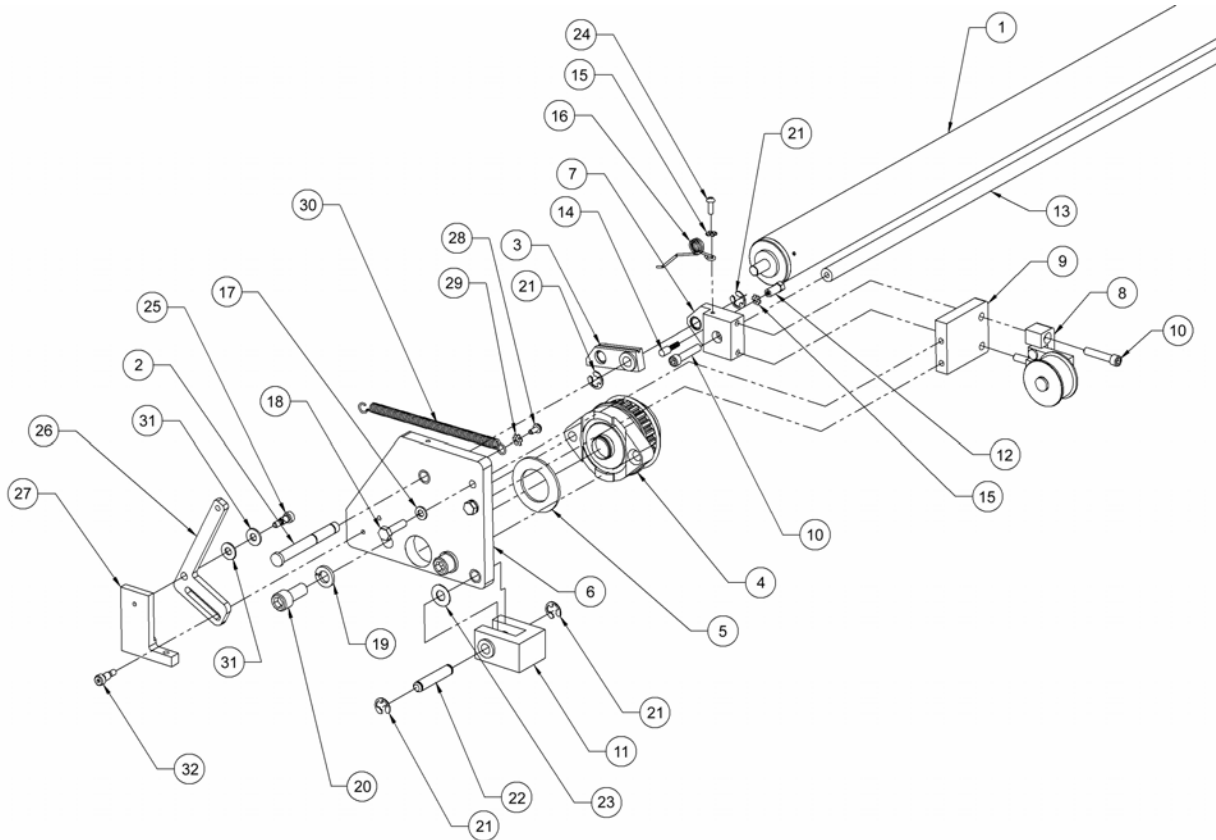
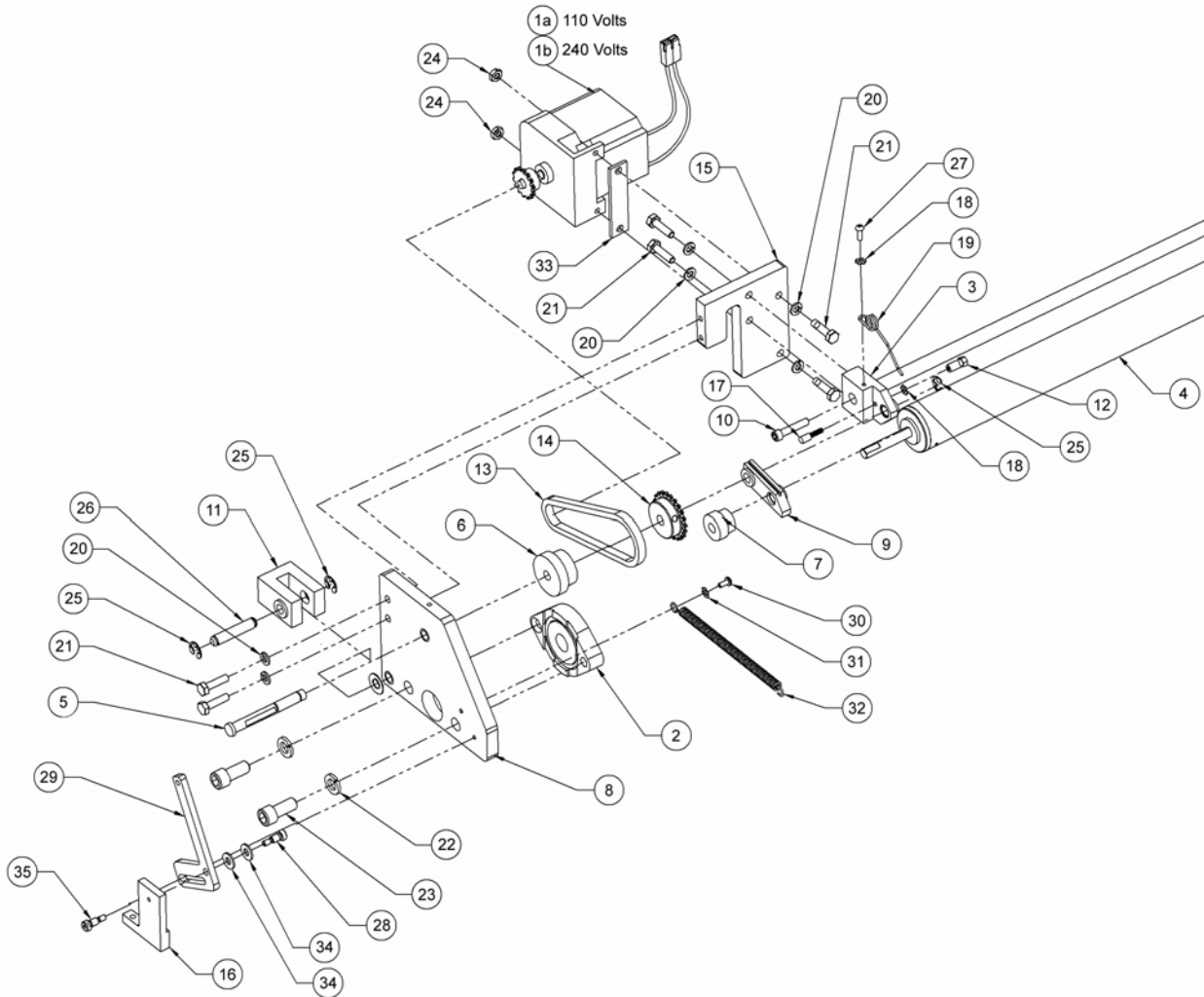


Oil Transfer / Buffer Mount Assembly (Page 1 of 3, Right Side)



	NUMBER	DESCRIPTION
1	294-115-013	Roller Assembly
2	294-115-004	Shaft - Transfer Roller
3	SA-1023R	Right Roller Support Assembly
4	SA-6002	Buffer Drive Assembly
5	A-0575	Shim
6	294-115-014	Buffer Side Plate Assembly
7	SA-3023R	Roller Drive Shaft Support Arm Assembly, Right
8	294-115-139	Belt Tensioner Assembly
9	294-115-009	Transfer Roller Mount - Buffer Motor Side
10	810-349-200	Screw, 1/4-20 X 1 1/4, Socket Head
11	294-115-021	Pivot Bracket Assembly
12	A-0464	Positive Stop Nut
13	294-115-157	Stiffener Bracket, Upper
14	A-0463	Positive Stop Screw
15	01-016	Washer, #8, External Tooth Lock, Zinc
16	A-0583	Oil Transfer Roller Spring
17	01-054	Washer, 1/4, Split, Zinc
18	809-849-165	Screw, 1/4-20 X 1, Hex Head, Gr 8, Black
19	951-068-002	Washer, 7/16, Split
20	294-115-020	Screw, 7/16-14 X 1, Socket Head
21	919-010-400	Retaining Ring E - Style
22	294-115-154	Pin, 3/8, Clevis
23	964-572-000	Thrust Washer
24	828-133-082	Screw, #8-32 X 1/2, Round Head
25	01-349	Bolt, 1/4 X 3/8 Shoulder, #10-32 X 3/8 Threads
26	294-115-088	L - Link, Buffer Engagement
27	294-115-086	Link Pivot Mount - Right Side
28	01-019	Screw, #10-32 X 3/8, Phillips, Pan Head, Zinc
29	01-033	Washer, #10, External Tooth Lock, Zinc
30	294-115-171	Extension Spring
31	948-753-102	Washer, 1/4, Flat, Black
32	880-239-140	Bolt, 1/4 X 1/2 Shoulder, #10-24 X 3/8 Threads

Oil Transfer / Buffer Mount Assembly (Page 2 of 3, Left Side)



	NUMBER	DESCRIPTION
1a	294-115-006	Transfer Roller Motor Assembly: 110V
1b	294-115-267	Transfer Roller Motor Assembly: 240V
2	B-0077	Swivel End Bearing Modification
3	SA-3023L	Roller Drive Shaft Support Arm Assembly, Left
4	294-115-013	Roller Assembly
5	294-115-004	Shaft - Transfer Roller
6	294-115-002	Transfer Roller Gear - Large
7	294-115-003	Transfer Roller Gear - Small
8	294-115-014	Buffer Side Plate Assembly
9	SA-1023L	Left Roller Support Assembly
10	810-349-200	Screw, 1/4-20 X 1 1/4, Socket Head
11	294-115-021	Pivot Bracket Assembly
12	A-0464	Positive Stop Nut
13	294-115-007	Transfer Roller Chain
14	A-0951	Sprocket Modification
15	294-115-008	Transfer Roller Mount - Trans. Roller Side
16	294-115-158	Link Pivot Mount - Left Side
17	A-0463	Positive Stop Screw
18	01-016	Washer, #8, External Tooth Lock, Zinc
19	A-0583	Oil Transfer Roller Spring
20	01-054	Washer, 1/4, Split, Zinc
21	809-849-165	Screw, 1/4-20 X 1, Hex Head, Gr 8, Black
22	951-068-002	Washer, 7/16, Split
23	294-115-020	Screw, 7/16-14 X 1, Socket Head
24	01-340	Nut, 1/4-20, Jam
25	919-010-400	Retaining Ring E - Style
26	294-115-154	Pin, 3/8, Clevis
27	828-133-082	Screw, #8-32 X 1/2, Round Head
28	01-349	Bolt, 1/4 X 3/8 Shoulder, #10-32 X 3/8 Threads
29	294-115-088	L - Link, Buffer Engagement
30	01-019	Screw, #10-32 X 3/8, Phillips, Pan Head, Zinc
31	01-033	Washer, #10, External Tooth Lock, Zinc
32	294-115-171	Extension Spring
33	294-002-082	Transfer Roller Motor Spacer
34	948-753-102	Washer, 1/4, Flat, Black
35	880-239-140	Bolt, 1/4 X 1/2 Shoulder, #10-24 X 3/8 Threads

Oil Transfer / Buffer Mount Assembly (Page 3 of 3)

NUMBER	DESCRIPTION
294-115-028	Splatter Shield, Buffer
01-019	Screw, #10-32 X 3/8, Phillips, Pan Head, Zinc
01-033	Washer, #10, External Tooth Lock, Zinc
294-115-245	Hand Entanglement Hazard - Chain Drive Sticker

