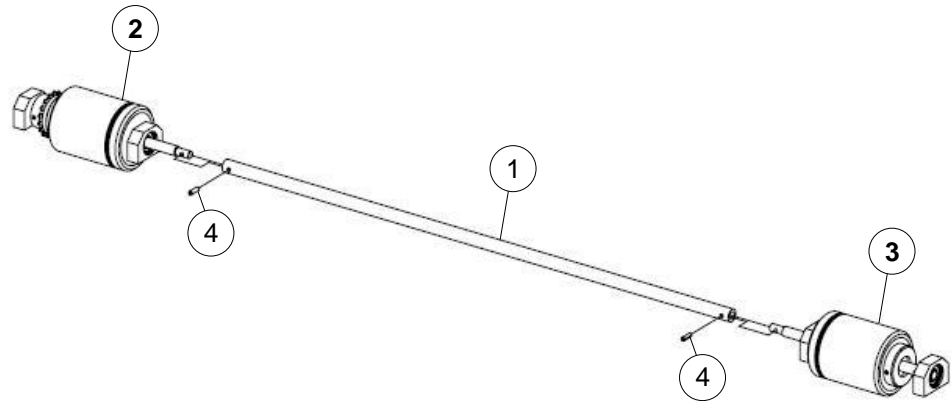


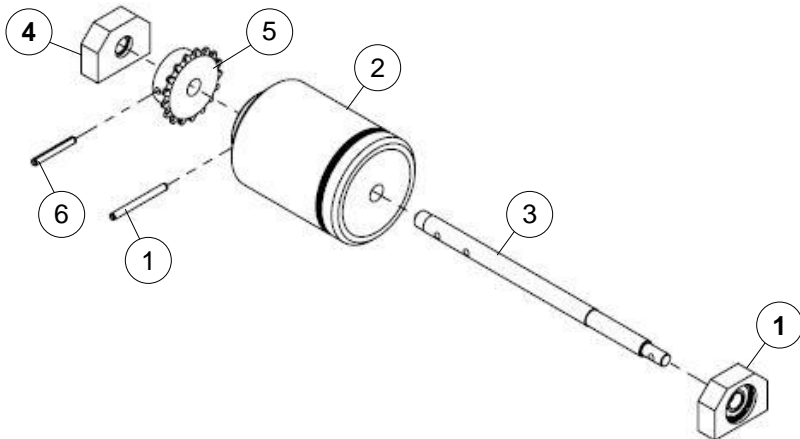
Drive Shaft Assembly - 294-116-030

	NUMBER	DESCRIPTION
1	294-116-027	DRIVE SHAFT SLEEVE
2	294-116-028	LEFT HAND DRIVE SHAFT END
3	294-116-029	RIGHT HAND DRIVE SHAFT END
4	913-437-100	PIN, ROLL, 3/16 X 5/8 LG



Left Hand Drive Shaft End -294-116-028

	NUMBER	DESCRIPTION
1	01-087	PIN, ROLL, 3/16 X 2 LG
2	294-115-404	DRIVE WHEEL
3	294-116-026	DRIVE SHAFT END
4	294-116-034	DRIVE SHAFT BEARING BLOCK ASM
5	294-116-035	SPROCKET, #35 CHAIN, 17T
6	913-437-240	PIN, ROLL, 3/16 X 1-1/2 LG



Right Hand Drive Shaft End - 294-119-029

	NUMBER	DESCRIPTION
1	01-087	PIN, ROLL, 3/16 X 2 LG
2	294-115-404	DRIVE WHEEL
3	294-116-026	DRIVE SHAFT END
4	294-116-034	DRIVE SHAFT BEARING BLOCK ASM

