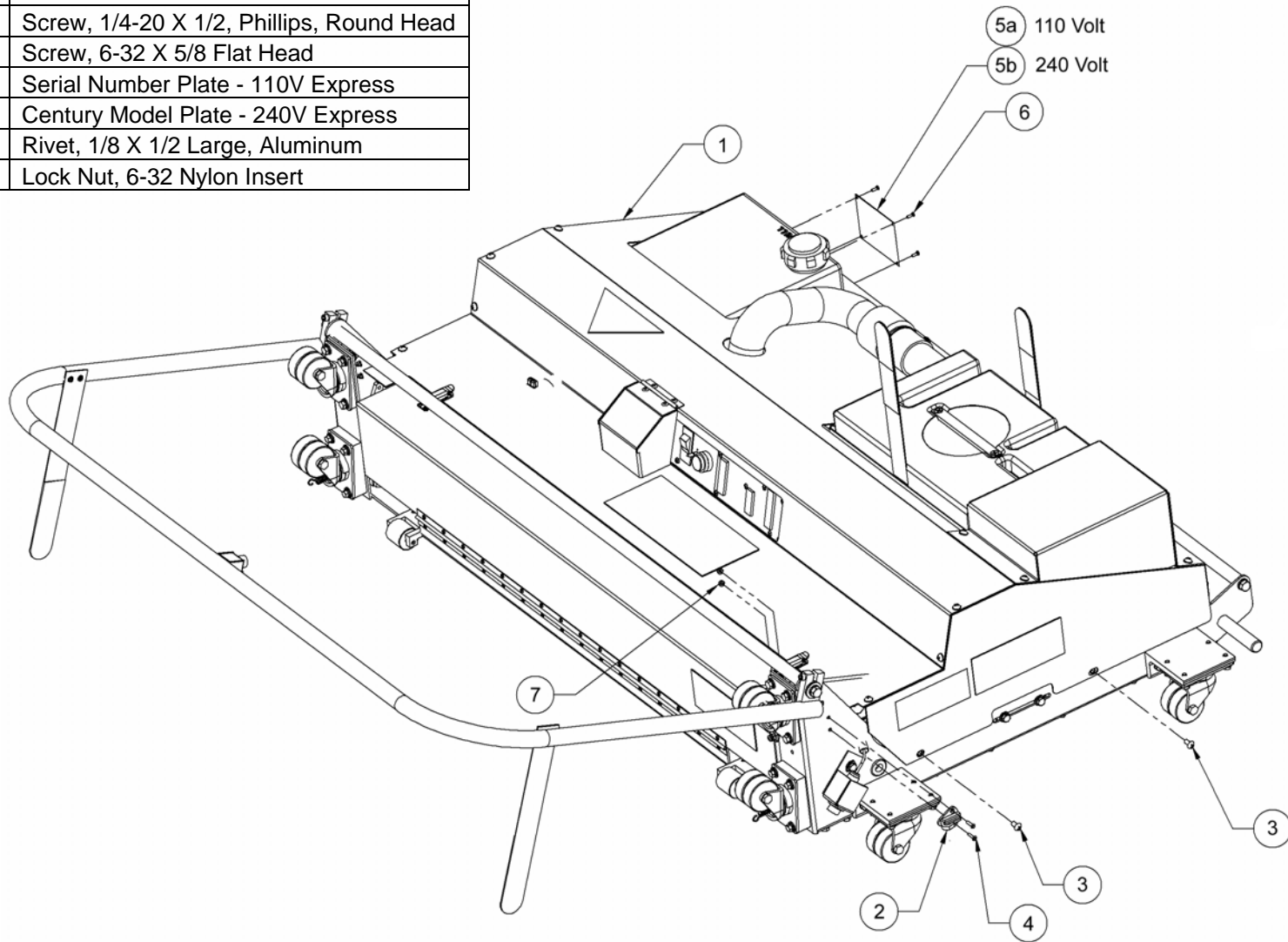


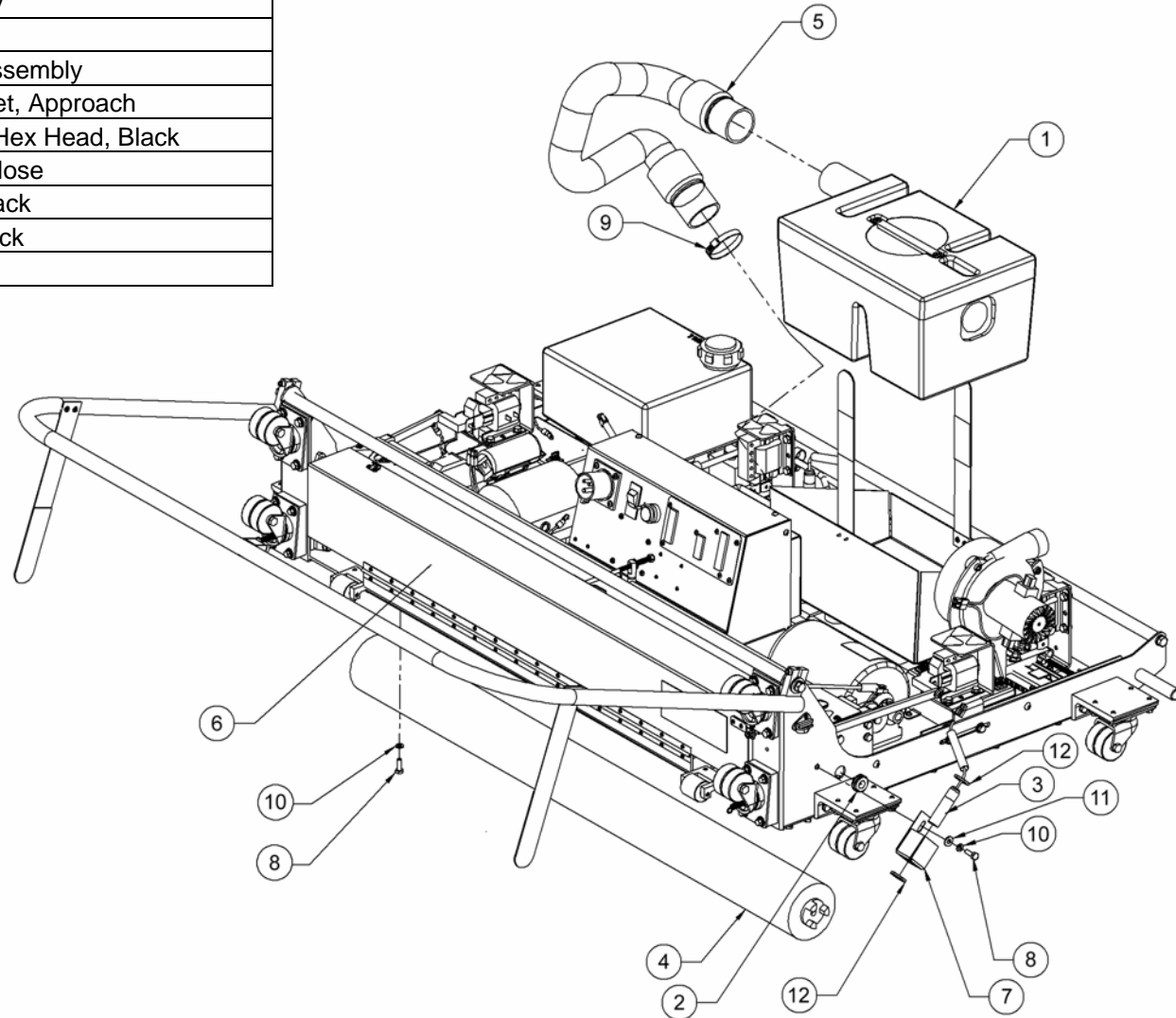
**Express Assembly** (Page 1 of 3)

	NUMBER	DESCRIPTION
1	294-115-094	Hood Assembly
2	A-2037	Power Cable Hook
3	01-027	Screw, 1/4-20 X 1/2, Phillips, Round Head
4	812-027-100	Screw, 6-32 X 5/8 Flat Head
5a	A-0580	Serial Number Plate - 110V Express
5b	294-002-278	Century Model Plate - 240V Express
6	01-130	Rivet, 1/8 X 1/2 Large, Aluminum
7	01-416	Lock Nut, 6-32 Nylon Insert



**Express Assembly** (Page 2 of 3)

	NUMBER	DESCRIPTION
1	SA-1129	Waste Tank Assembly
2	04-077	Rubber Grommet, 1/8" Groove
3	294-115-299	Optical Sensor Assembly - Approach
4	SA-1182	Buffer Tube Assembly
5	294-115-113	Vac Hose Assembly
6	294-115-252	Access Door Hood Assembly
7	294-115-104	Optical Sensor Bracket, Approach
8	809-849-125	Screw, 1/4-20 X 3/4, Hex Head, Black
9	04-120	Clamp, Waste Tank Hose
10	951-148-008	Washer, 1/4, Split, Black
11	948-753-102	Washer, 1/4, Flat, Black
12	294-115-201	Nut, 18mm, Thin Jam



**Express Assembly** (Page 3 of 3)

	<b>NUMBER</b>	<b>DESCRIPTION</b>
1	294-115-095	Vac Head Assembly
2a	294-115-263	Control Box Enclosure 110V
2b	294-115-253	Control Box Enclosure 240V
3	01-519	Nut, 5/16-18, Hex Flange

