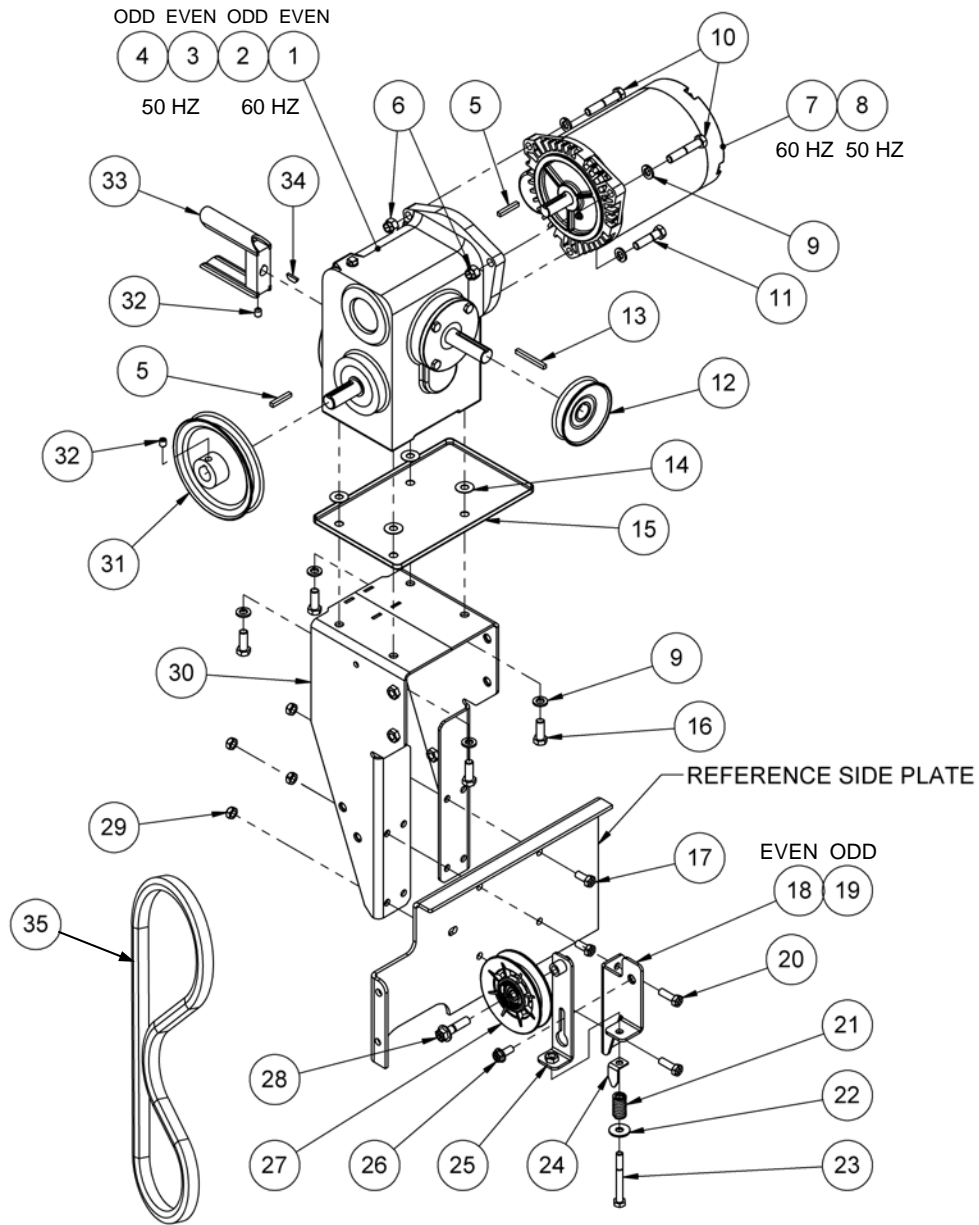


# BACK END DRIVE MOTOR & BRACKET ASSEMBLY





## BACK END DRIVE MOTOR & BRACKET ASSEMBLY

ITEM	QTY	PART #	DESCRIPTION	ITEM	QTY	PART #	DESCRIPTION
1	1	088-004-502-02	BE GEARBOX, EVEN MACHINE, 60 Hz	27	1	088-001-825	IDLER PULLEY, 4-INCH
2	1	088-004-501-02	BE GEARBOX, ODD MACHINE, 60 Hz	28	1	801-765-241	SCREW, HEX WASHER HEAD, 3/8-16 X 1-1/2
3	1	088-004-507-02	BE GEARBOX, EVEN MACHINE, 50 Hz	29	4	844-057-002	NUT, STOVER LOCK, 5/16 - 18
4	1	088-004-506-02	BE GEARBOX, ODD MACHINE, 50 Hz	30	1	088-001-800	BACK END MOTOR MOUNT
5	1	907-201-000	KEY, SQUARE, 3/16 X 1-1/4	31	1	088-001-822	ELEVATOR DRIVE SHEAVE, 5-INCH
6	2	839-665-002	NUT, FLEX LOCK, 3/8 - 16	32	2	807-358-060	SETSCREW, 5/16 - 24 X 3/8
7	1	090-003-766	MOTOR, 60 Hz	33	1	090-001-130	DISTRIBUTOR DRIVE HOUSING
8	1	090-007-310	MOTOR, 50 Hz	34	1	907-000-300	KEY, .13 X .63
9	8	951-164-002	WASHER, SPLIT LOCK, 3/8	35	1	088-001-528	PIN ELEVATOR DRIVE HEX V-BELT
10	2	809-865-325	SCREW, HEX, 3/8 - 16 X 2	36	1	090-004-520	PIT CONVEYOR DRIVE BELT (NOT SHOWN)
11	1	809-865-245	SCREW, HEX, 3/8 - 16 X 1-1/2				
12	1	000-022-172	DRIVE SHEAVE				
13	1	907-202-600	KEY, SQUARE, 3/16 X 1-7/8				
14	4	000-023-758	GASKET WASHER, 7/8 X 3/8 X 1/32				
15	1	090-004-517	BACK END MOTOR DRIP PAN				
16	4	809-865-165	SCREW, HEX, 3/8 - 16 X 1				
17	2	809-857-125	SCREW, HEX, 5/16 - 18 X 3/4				
18	1	088-001-539	IDLER MOUNT, EVEN MACHINE				
19	1	088-001-534	IDLER MOUNT, ODD MACHINE				
20	2	809-857-165	SCREW, HEX, 5/16-18 X 1				
21	1	088-001-823	IDLER TENSION SPRING				
22	1	7050-034100-006	FLAT WASHER, .36 X .98 X .08				
23	1	809-857-445	SCREW, HEX, 5/16-18 X 2-3/4				
24	1	088-001-824	IDLER SPRING INDICATOR				
25	1	088-001-535	IDLER BAR WELDMENT				
26	1	801-757-121	SCREW, HEX, WASHER HEAD, 5/16-18 X 3/4				