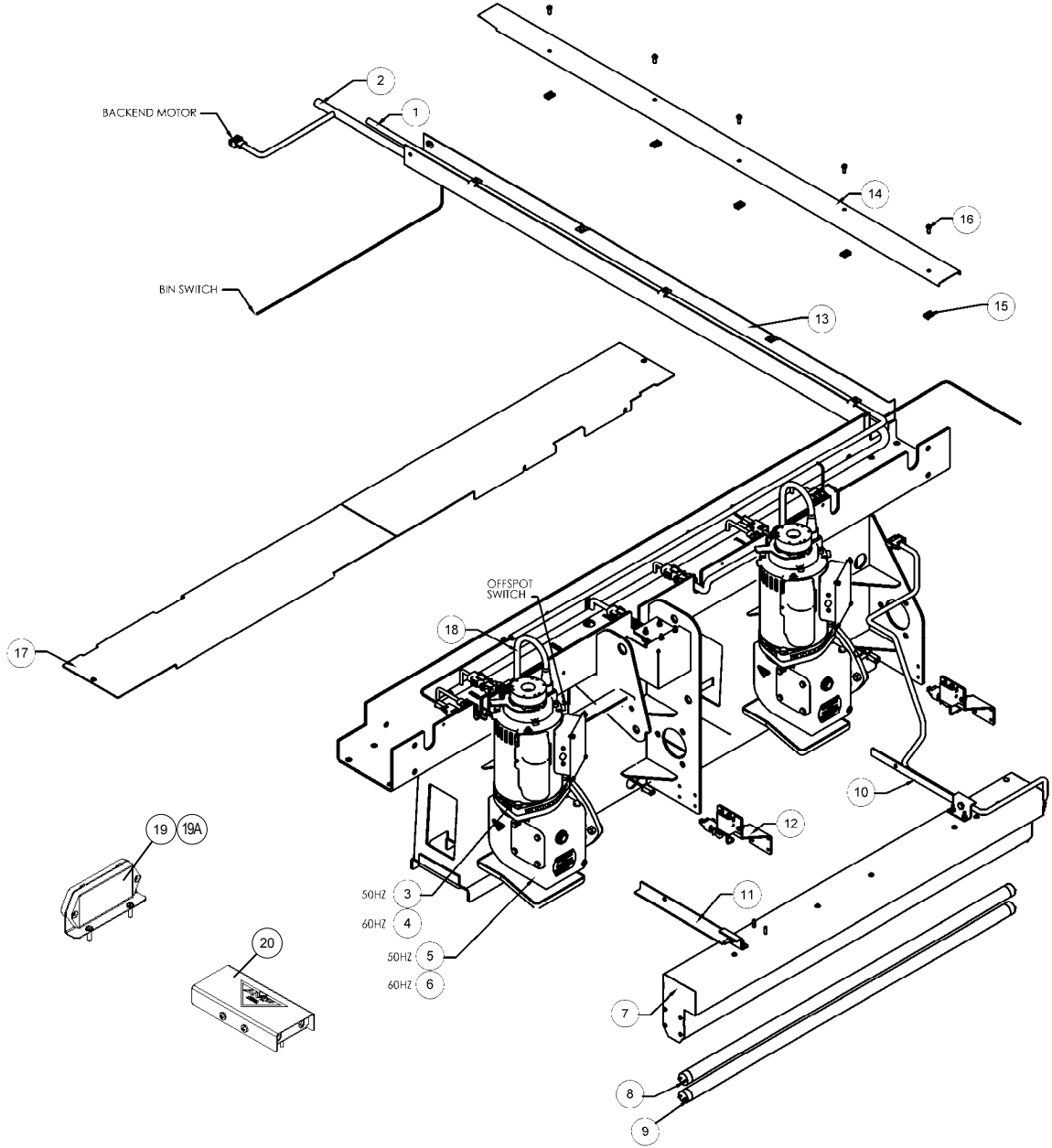


FRONT END ELECTRICAL INSTALLATION - ODD MACHINE





FRONT END ELECTRICAL INSTALLATION - ODD MACHINE

ITEM	QTY	PART #	DESCRIPTION	ITEM	QTY	PART #	DESCRIPTION
1	1	088-000-007	ODD LOGIC CABLE				
2	1	088-000-008	ODD POWER CABLE				
3	2	088-000-145	FRONT END MOTOR ASSEMBLY, 50 HZ				
4	2	088-000-146	FRONT END MOTOR ASSEMBLY, 60 HZ				
5	2	088-004-509	FRONT END GEARBOX, 50HZ				
6	2	088-004-504	FRONT END GEARBOX, 60HZ				
7	1	088-000-024	DUAL PIT LIGHT ASSEMBLY, DUAL INPUT				
8	1	751-001-466	LAMP, DAY LIGHT T8 36", 30W				
9	1	751-001-460	LAMP, BLACK LIGHT T8 36", 30W				
10	1	070-001-907	PIT LIGHT SUPPORT BRACKET, R.H.				
11	1	070-001-908	PIT LIGHT SUPPORT BRACKET, L.H.				
12	2	088-000-107	HOME ASSEMBLY				
13	1	088-200-477	CABLE DUCT ASSEMBLY				
14	1	088-200-478	CABLE DUCT COVER				
15	5	724-511-074	U-NUT, 10 - 32				
16	5	812-840-082	SCREW, ROUND HEAD, 10 - 32 X ½				
17	2	090-005-053	CROSSBEAM COVER				
18	2	090-005-876	MOTOR CABLE				
19	2	088-000-189	REFLECTOR, XLi BALL DETECTOR				
19A	1	088-001-292	REFLECTOR KIT (incl. 2 reflectors and bracket)				
20	1	088-000-080	BALL DETECTOR ASSEMBLY				