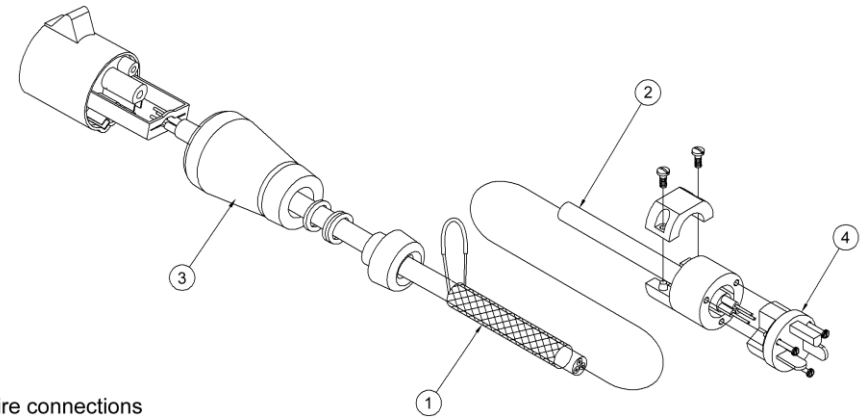
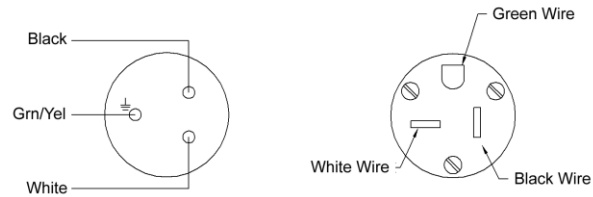


294-002-359 110V POWER CORD ASSEMBLY

PART NO.	DESCRIPTION
1	04-443 Support Grip, Single Eye, Single Weave
2	02-238 Wire, 12/3, Type SJTO
3	294-002-219 Connector Body
4	02-397 125V, 20A, Male Plug



Detail for wire connections



294-002-250 220V POWER CORD ASSEMBLY

PART NO.	DESCRIPTION
1	294-002-219 Connector Body
2	294-002-249 Harmonized Power Cord
3	04-443 Support Grip, Single Eye, Single Weave

