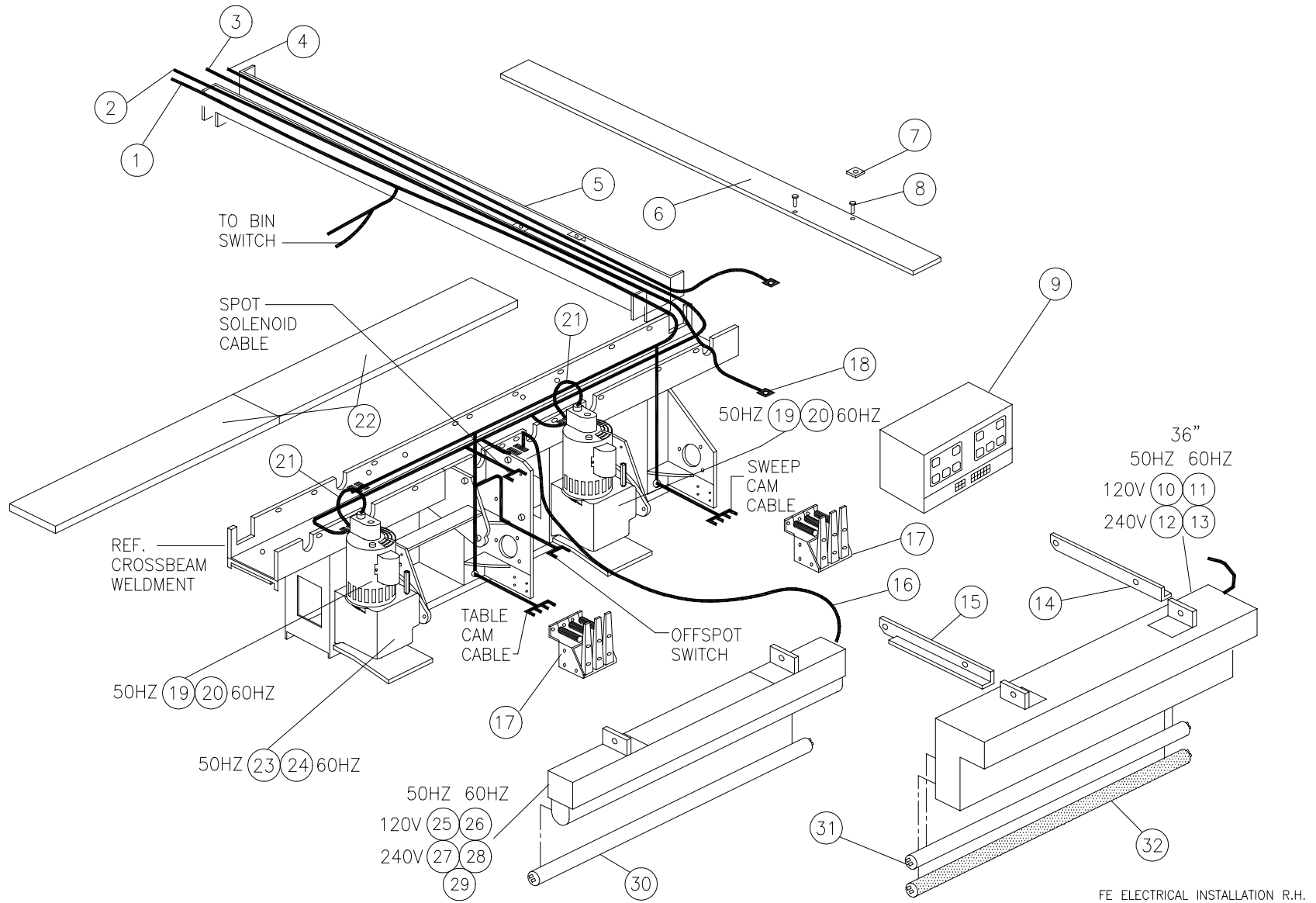


FRONT END ELECTRICAL INSTALLATION - RIGHT HAND MACHINE





FRONT END ELECTRICAL INSTALLATION - RIGHT HAND MACHINE

ITEM	QTY	PART #	DESCRIPTION
1	1	090-005-759	ODD LOGIC CABLE
2	1	090-005-739	PINDICATION CABLE
3	1	090-005-763	ODD POWER CABLE
4	1	090-005-733	FRONT END CABLE
5	1	070-007-748	FRONT WIREWAY
6	1	070-007-747	WIREWAY COVER
7	5	724-511-074	U-NUT, 10 - 32
8	5	812-840-082	SCREW, ROUND HEAD, 10 - 32 X ½
9	1	090-005-827	FRONT END CONTROL BOX (UNIVERSAL)
10	1	090-008-034	DUAL PIT LIGHT ASSEMBLY 36", 120V, 50HZ
11	1	090-008-017	DUAL PIT LIGHT ASSEMBLY 36", 120V, 60HZ
12	1	090-008-033	DUAL PIT LIGHT ASSEMBLY 36", 240V, 50HZ
13	1	090-008-032	DUAL PIT LIGHT ASSEMBLY 36", 240V, 60HZ
14	1	070-001-907	PIT LIGHT SUPPORT BRACKET, R.H.
15	1	070-001-908	PIT LIGHT SUPPORT BRACKET, L.H.
*16	1	090-003-703	PIT LIGHT CABLE (only used on items 25 - 29)
17	2	070-002-841	TABLE & SWEEP CAM SWITCH ASSEMBLY
18	1	090-005-734	STRIKE/FOUL CABLE
19	2	090-004-060	FRONT END MOTOR, 50HZ
20	2	090-004-061	FRONT END MOTOR, 60HZ
21	2	090-005-876	MOTOR CABLE
22	2	090-005-053	CROSSBEAM COVER
23	2	090-004-499	FRONT END GEARBOX, 50HZ
24	2	090-004-500	FRONT END GEARBOX, 60HZ
25	1	090-003-802	PIT LIGHT ASSEMBLY, 120V, 50 HZ
26	1	090-003-800	PIT LIGHT ASSEMBLY, 120V, 60 HZ

ITEM	QTY	PART #	DESCRIPTION
27	1	090-003-801	PIT LIGHT ASSEMBLY, 240V, 50 HZ
28	1	090-003-803	PIT LIGHT ASSEMBLY, 240V, 60 HZ
29	1	090-003-805	PIT LIGHT, NO BALLAST, JAPAN
30	1	751-001-254	LAMP, DAYLIGHT, F30T 12/DIRS
31	1	751-001-466	LAMP, DAY LIGHT T8 36", 30W
32	1	751-001-460	LAMP, BLACK LIGHT T8 36", 30W

*Note: Items 25 - 29 (single pit light assemblies) come with item 16 (pit light cable).
Items 10 - 13 (dual pit light assemblies) come with a different cable that is attached but not sold separately.