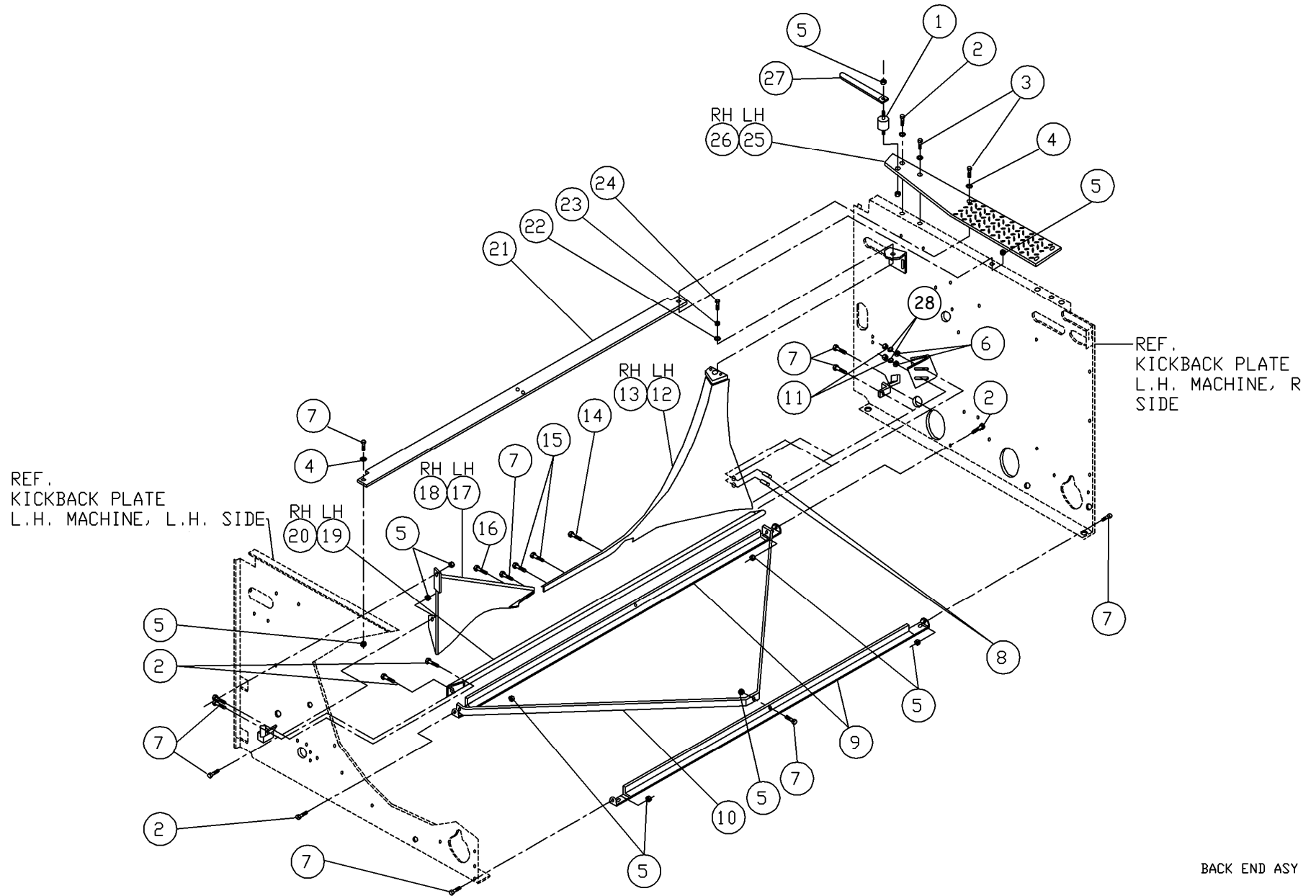


BACK END ASSEMBLY





BACK END ASSEMBLY

ITEM	QTY	PART #	DESCRIPTION
1	1	000-029-068	RUBBER MOUNTING
2	6	809-857-165	SCREW, HEX, 5/16 - 18 X 1
3	3	809-857-205	SCREW, HEX, 5/16 - 18 X 1-1/4
4	6	948-761-112	WASHER, FLAT, 11/16 X 11/32 X 1/16
5	12	844-057-002	NUT, STOVER LOCK, 5/16 - 18
6	2	948-753-102	WASHER, FLAT, 5/8 X 9/32 X 1/16
7	6	809-857-125	SCREW, HEX, 5/16 - 18 X 3/4
8	2	808-849-160	SCREW, FLAT HEAD, 1/4 - 20 X 1
9	2	070-001-184	STRAP WELDMENT
10	1	070-001-185	BRACE
11	2	844-049-002	NUT, STOVER LOCK, 1/4 - 20
12	1	000-027-380	PLOW ASSY, R.H. SIDE, L.H. MACHINE
13	1	000-027-381	PLOW ASSY, L.H. SIDE, R.H. MACHINE
14	1	808-858-240	SCREW, FLAT HEAD, 5/16 - 24 X 1 1/2
15	2	808-858-120	SCREW, FLAT HEAD, 5/16 - 24 X 3/4
16	1	809-858-125	SCREW, HEX, 5/16 - 24 X 3/4
17	1	070-002-168	PLOW ASSY, L.H. SIDE, L.H. MACHINE
18	1	070-001-404	PLOW ASSY, R.H. SIDE, R.H. MACHINE
19	1	030-006-964	APRON ASSEMBLY, L.H. MACHINE
20	1	030-006-963	APRON ASSEMBLY, R.H. MACHINE
21	1	070-007-359	SUPPORT BRACKET
22	1	948-767-132	WASHER, FLAT, 13/32 X 13/16 X 1/16
23	1	951-164-002	WASHER, SPLIT LOCK, 3/8
24	1	808-566-160	SCREW, BUTTON HEAD, 3/8 - 24 X 1
25	1	088-200-060	TREAD WELDMENT, R.H. SIDE, L.H. MACHINE
26	1	088-200-059	TREAD WELDMENT, L.H. SIDE, R.H. MACHINE
27	1	070-001-195	PIN SEATING ROD

ITEM	QTY	PART #	DESCRIPTION
28	2	951-148-002	WASHER, SPLIT LOCK, 1/4