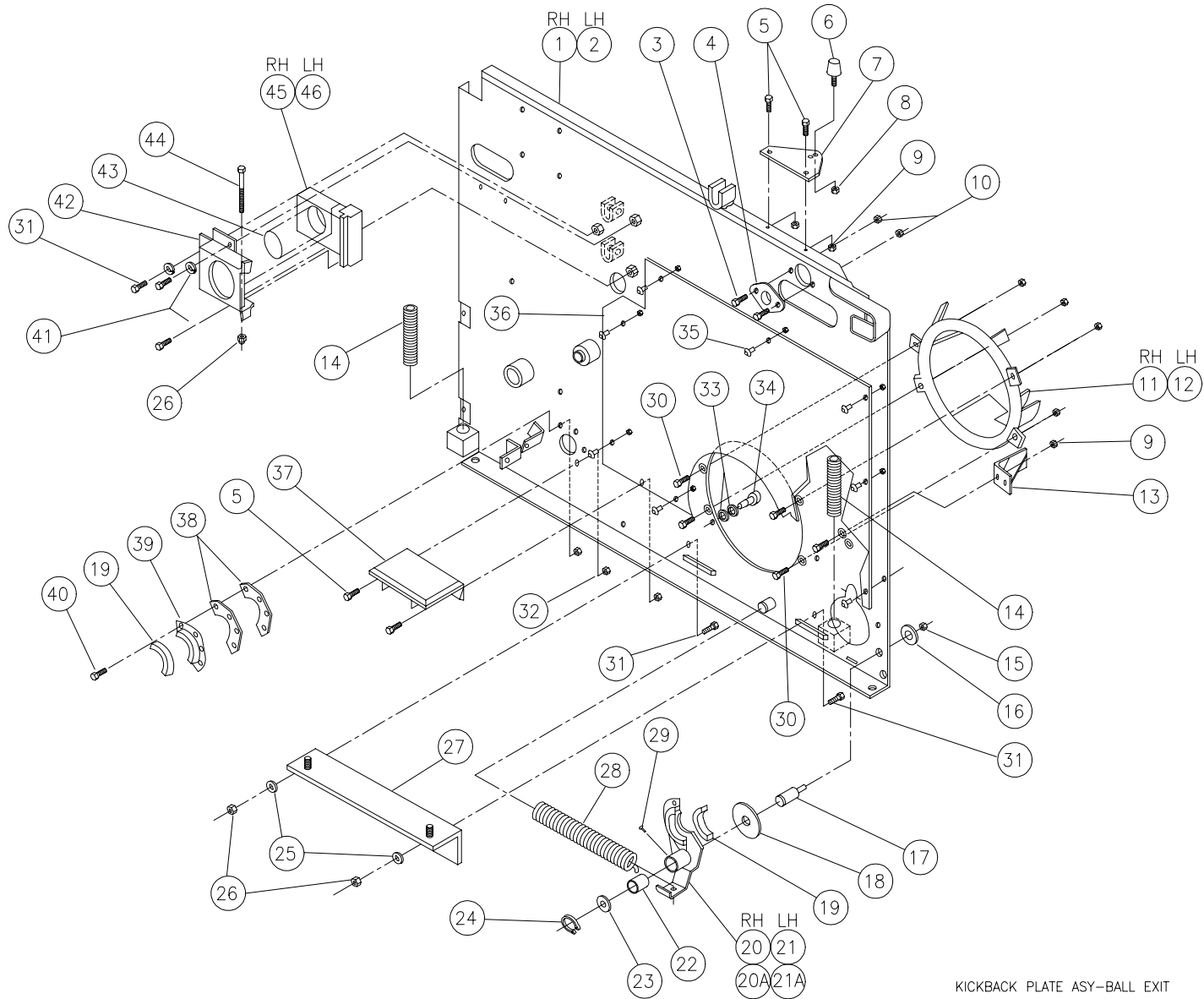


KICKBACK PLATE ASSEMBLY- BALL EXIT SIDE



KICKBACK PLATE ASY-BALL EXIT



KICKBACK PLATE ASSEMBLY- BALL EXIT SIDE

ITEM	QTY	PART #	DESCRIPTION
1	1	090-004-126	KICKPLATE, R.H. SIDE, R.H. MACHINE
2	1	090-004-129	KICKPLATE, L.H. SIDE, L.H. MACHINE
3	2	808-549-160	SCREW, BUTTON HEAD, 1/4 - 20 X 1
4	1	070-011-286	CURTAIN ROD BUSHING
5	2	809-857-125	SCREW, HEX, 5/16 - 18 X 3/4
6	1	000-024-641	STOP BUMPER
7	1	070-004-642	BALL LIFT STOP BRACKET
8	1	835-558-002	NUT, HEX JAM, 5/16 - 24
9	8	844-057-002	NUT, STOVER LOCK, 5/16 - 18
10	2	844-049-002	NUT, STOVER LOCK, 1/4 - 20
11	1	070-011-006	DOOR WELDMENT, R.H. MACHINE
12	1	070-011-005	DOOR WELDMENT, L.H. MACHINE
13	1	000-024-668	TRACK SUPPORT BRACKET
14	2	000-024-890	SETSCREW
15	1	844-074-002	NUT, STOVER LOCK, 1/2 - 20
16	1	948-975-172	WASHER, FLAT, 1-1/4 X 1/2 X 1/16
17	1	000-029-015	PIVOT STUD
18	1	000-027-641	THRUST BEARING
19	2	000-022-924	SUPPORT BEARING
20	1	000-029-602	BRACKET WELDMENT, R.H. SIDE, R.H. MACHINE
20A	1	000-029-672	BEARING BRACKET ASSEMBLY, R.H. SIDE, R.H. MACHINE (Includes 19, 20, 22, & 29)
21	1	000-022-248	BRACKET WELDMENT L.H. SIDE, L.H. MACHINE
21A	1	000-022-249	BEARING BRACKET ASSEMBLY, L.H. SIDE, L.H. MACHINE (Includes 19, 21, 22, & 29)
22	1	900-112-203	SLEEVE BEARING, .753 X 1-1/4

ITEM	QTY	PART #	DESCRIPTION
23	1	000-027-642	FRONT ROLLER SUPPORT WASHER
24	1	919-005-800	RETAINING RING
25	2	948-767-132	WASHER, 13/32 X 13/16 X 1/16
26	3	839-665-002	NUT, FLEX LOCK, 3/8 - 16
27	1	090-004-131	PIT SUPPORT BRACKET
28	1	000-021-204	SPRING
29	1	710-501-009	GREASE FITTING
30	6	808-857-120	SCREW, FLAT HEAD, 5/16 - 18 X 3/4
31	5	809-865-165	SCREW, HEX, 3/8 - 16 X 1
32	8	844-057-002	NUT, FLEX LOCK, 5/16 - 24
33	1-2*	070-011-050	WASHER, SPECIAL
34	1	000-028-362	BUMPER, URETHANE
35	9	937-000-000	DRIVE RIVET (field replacement)
36	1	000-029-640	KICKBACK PANEL
37	1	000-022-878	ANGLE
38	2	090-004-136	SPACER
39	1	000-022-926	RETAINER SUPPORT
40	4	808-557-120	SCREW, BUTTON HEAD, 5/16 - 18 X 3/4
41	3	951-164-002	WASHER, SPLIT LOCK, 3/8
42	1	000-022-788	BOX SUPPORT
43	1	000-022-300	SHIELD
44	1	809-865-645	SCREW, HEX, 3/8 - 16 X 4
45	1	000-022-794	BLOCK SUPPORT, R.H. SIDE
46	1	000-022-795	BLOCK SUPPORT, L.H. SIDE
n/a	1	008-100-413	LOCTITE ADHESIVE #404 (apply between items 43 & 45 or 43 & 46, as applicable)

* Either 1 or two washers depending on the distance between the two machines' kickback plates.