

TABLE DRIVE ASSEMBLY

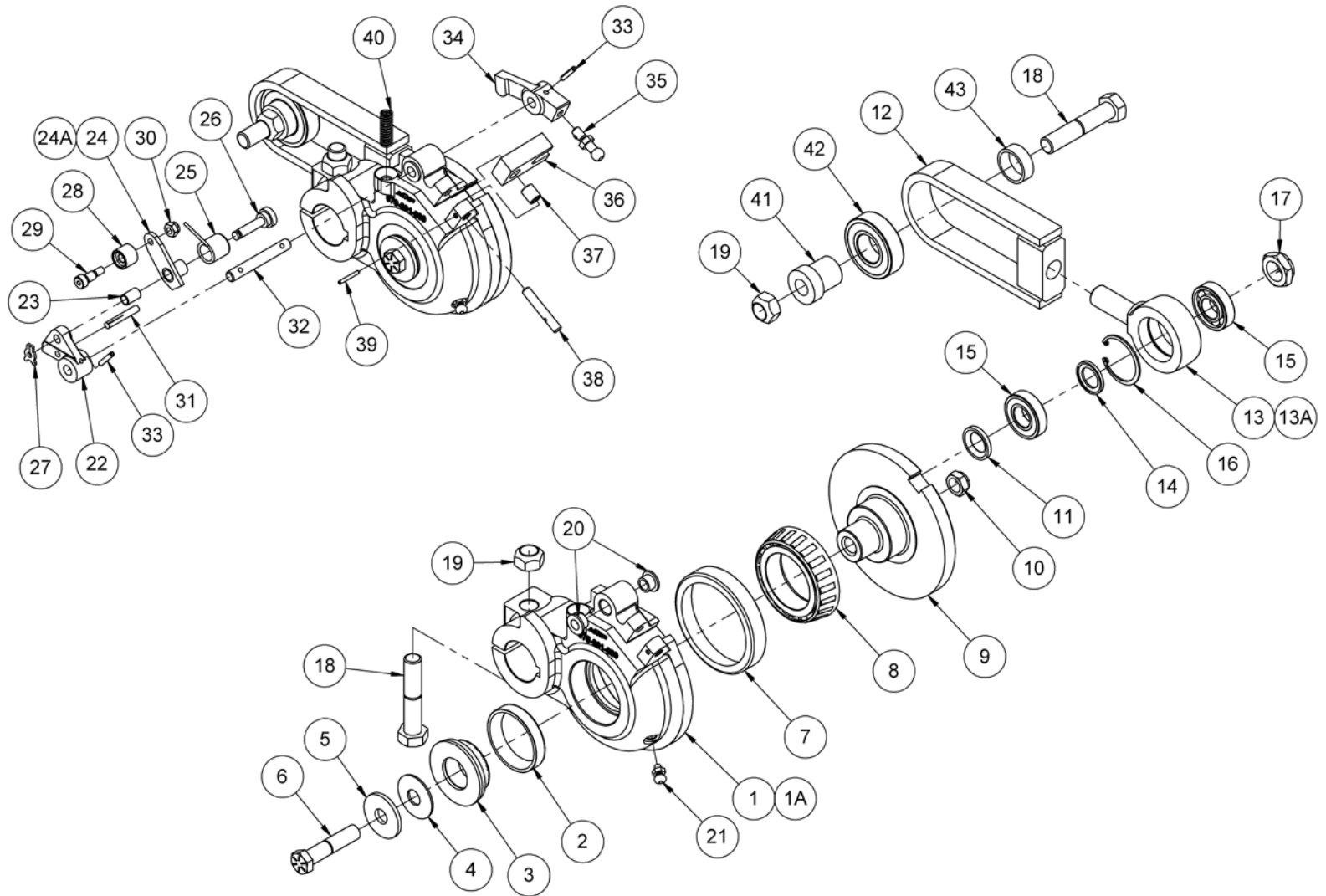




TABLE DRIVE ASSEMBLY

ITEM	QTY	PART #	DESCRIPTION
1	1	070-001-889	TABLE DRIVE CRANK HOUSING
1A	1	070-002-778	CRANK HOUSING & CUP ASSEMBLY (Includes items 1, 2, 7, 20, & 21)
2	1	070-002-780	ROLLER BEARING CUP
3	1	070-002-824	CONE & SEAL BEARING ASSEMBLY
4	1	070-006-729	SPRING DISC
5	1	949-071-227	WASHER, FLAT, .47 X 1.38 X .12
6	1	809-870-325	SCREW, HEX, 7/16 - 20 X 2
7	1	070-002-777	ROLLER BEARING CUP
8	1	070-002-776	CONE-STYLE ROLLER BEARING
9	1	090-005-549	TABLE DRIVE ECCENTRIC
10	1	840-070-002	NUT, FLEX LOCK, 7/16 - 20
11	1	070-001-849	WASHER, 5/8 X 1 X 1/8
12	1	070-007-755	YOKE WELDMENT
13	1	000-021-879	ROD END
13A	1	000-021-880	ROD END ASSY (includes 13, 14, 15, & 16)
14	1	000-021-878	SPACER
15	2	000-021-881	BALL BEARING, .625 X 1.375 X .34
16	1	919-000-600	RETAINING RING
17	1	840-182-002	NUT, 5/8-18, FLEX LOCK
18	2	809-873-405	SCREW, HEX, 1/2 - 13 X 2-1/2
19	2	844-073-002	NUT, STOVER LOCK, 1/2 - 13
20	2	900-205-053	FLANGED BEARING .315 X .44 X 5/16
21	1	710-501-004	GREASE FITTING

ITEM	QTY	PART #	DESCRIPTION
22	1	070-008-322	LINK ACTUATOR ASSEMBLY
23	1	070-002-652	BUSHING .252 X .315 X .5
24	1	070-001-861	LINK & HUB ASSEMBLY
24A	1	070-007-250	LINK ASSEMBLY (includes items 23 & 24)
25	1	070-001-931	SPRING
26	1	070-001-932	PIN
27	1	963-300-002	X-WASHER
28	1	070-001-857	NYLON ROLLER
29	1	880-139-120	SHOULDER SCREW, 10 - 24 X 1/4 X 3/8
30	1	839-539-002	NUT, FLEX LOCK, 10 - 24
31	1	912-137-200	GROOVE PIN, 1/16 X 1-1/4
32	1	070-008-325	PIN, ACTUATOR ASSEMBLY
33	2	913-423-120	SPRING PIN, .125 X 3/4
34	1	070-008-321	LATCH ARM ASSY (1/8" SPRING PIN HOLE)
35	1	070-001-893	CAM BALL ASSEMBLY
36	1	070-001-918	LATCH ASSEMBLY
37	1	900-104-071	SLEEVE BEARING, .253 X 7/16 X .44
38	1	070-001-894	PIVOT PIN
39	1	913-415-120	SPRING PIN, .094 X 3/4
40	1	070-001-917	COMPRESSION SPRING
41	1	070-007-310	FLANGED BEARING, .502 X .871 X 1.20
42	1	190-001-490	BALL BEARING, .88 X 1.88 X .50
43	1	070-007-311	SLEEVE, TABLE DRIVE ASSEMBLY