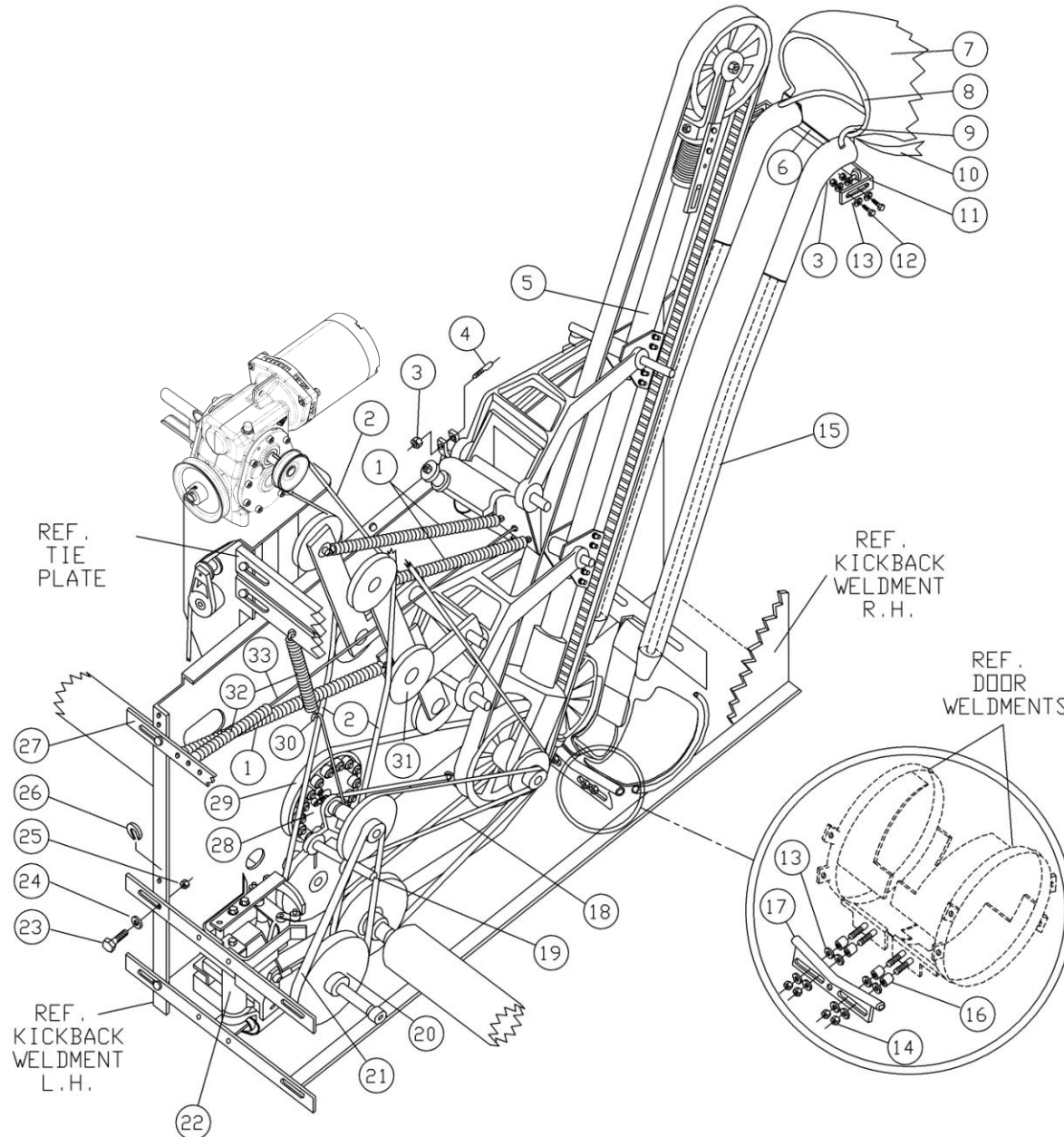


# POSITIVE BALL BEARING LIFT (PBL) - ASSEMBLED

# SECTION 5.0

*Drawings & Parts Lists*





## POSITIVE BALL LIFT (PBL) - ASSEMBLED

### QubicaAMF XLi PINSPOTTER

ITEM	QTY	PART #	DESCRIPTION	ITEM	QTY	PART #	DESCRIPTION
1	3	000-024-673	SPRING	27	1	070-011-035	STRAP
2	2	090-004-520	V- BELT, CARPET DRIVE	28	1	070-011-039	RATCHET ASSEMBLY
3	6	831-565-002	NUT, HEX, 3/8 - 16	29	1	070-011-064	V- BELT, RATCHET DRIVE
4	6	000-024-610	CLAMP STUD	30	1	090-002-016	SPRING EXTENSION
5	1	070-011-052	BALL LIFT ASSEMBLY (see next illustration)	31	1	070-011-810	BELT TIGHTENER
6	1	000-021-813	WIPER SUPPORT	32	2	000-026-031	SPRING
7	1	070-004-669	BALL WIPER CLOTH	33	1	070-011-034	EXTENSION ROD
8	2	000-021-814	WIPER CLOTH RING				
9	1	000-029-629	DOWN SWEEP WELDMENT				
10	1	070-004-670	DUST TRAP				
11	4	070-004-654	TRACK SUPPORT BRACKET				
12	8	809-865-285	SCREW, HEX, 3/8 - 16 X 1-3/4				
13	74	948-767-132	WASHER, 13/32 X 13/16 X 1/16				
14	20	844-065-002	NUT, STOVER LOCK, 3/8 - 16				
15	1	088-001-235	TRACK RAIL ASSEMBLY				
16	4	070-008-212	SPACER				
17	1	070-008-207	RAIL WELDMENT				
18	1	070-011-148	V- BELT, PADDLE DRIVE, UPPER				
19	1	090-002-015	BELT TENSIONER ASSEMBLY				
20	1	070-011-178	CRANK ASSEMBLY				
21	1	070-011-147	V- BELT, PADDLE DRIVE, LOWER				
22	1	070-011-120	LIGHT BALL SENSOR ASSEMBLY				
23	12	809-857-165	SCREW, HEX, 5/16 - 18 X 1				
24	8	948-761-112	WASHER, 11/32 X 11/16 X 1/16				
25	12	844-057-002	NUT, STOVER LOCK, 5/16 - 18				
26	14	000-029-910	SHIM				