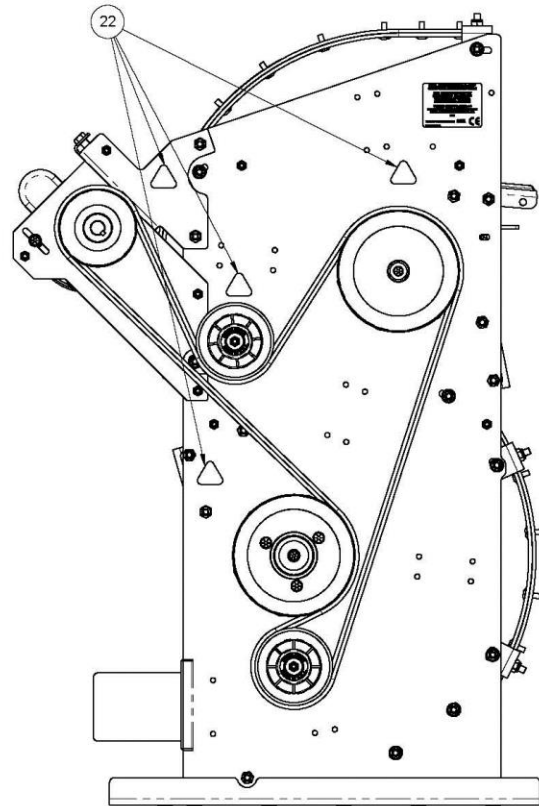
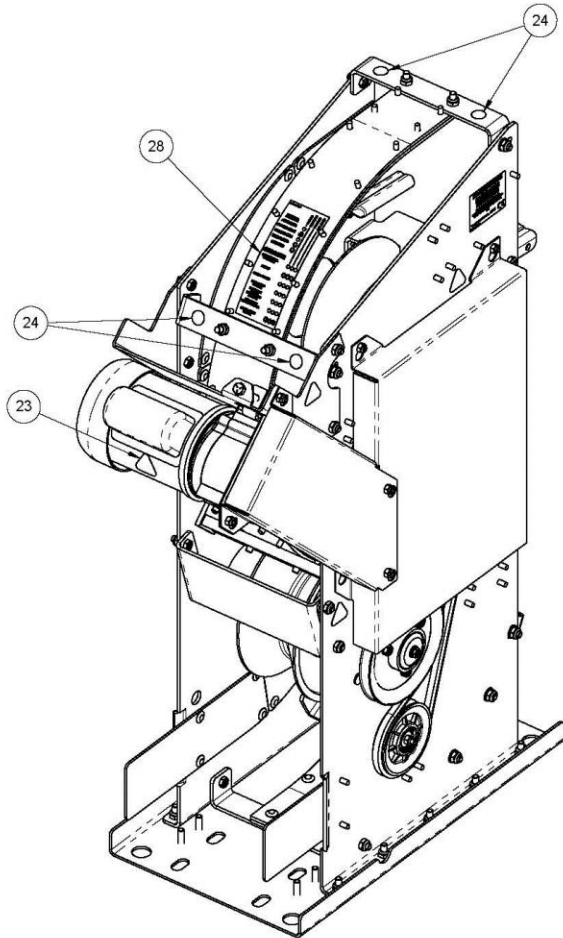




Harmony Ball Lift

View-1

See Part List on Page 45





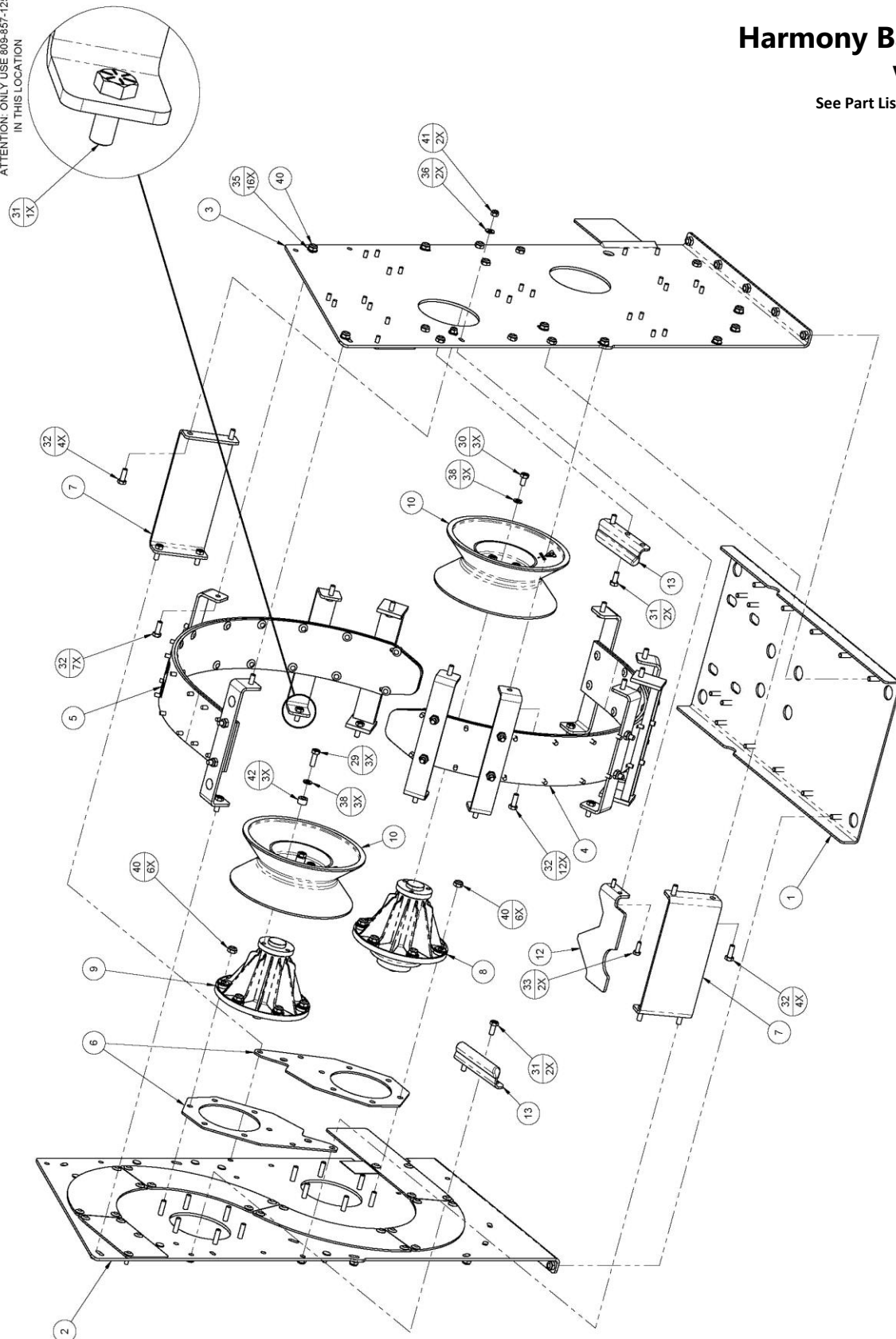
PARTS

Harmony Ball Lift

View-2

See Part List on Page 45

ATTENTION: ONLY USE 809-857-125
IN THIS LOCATION

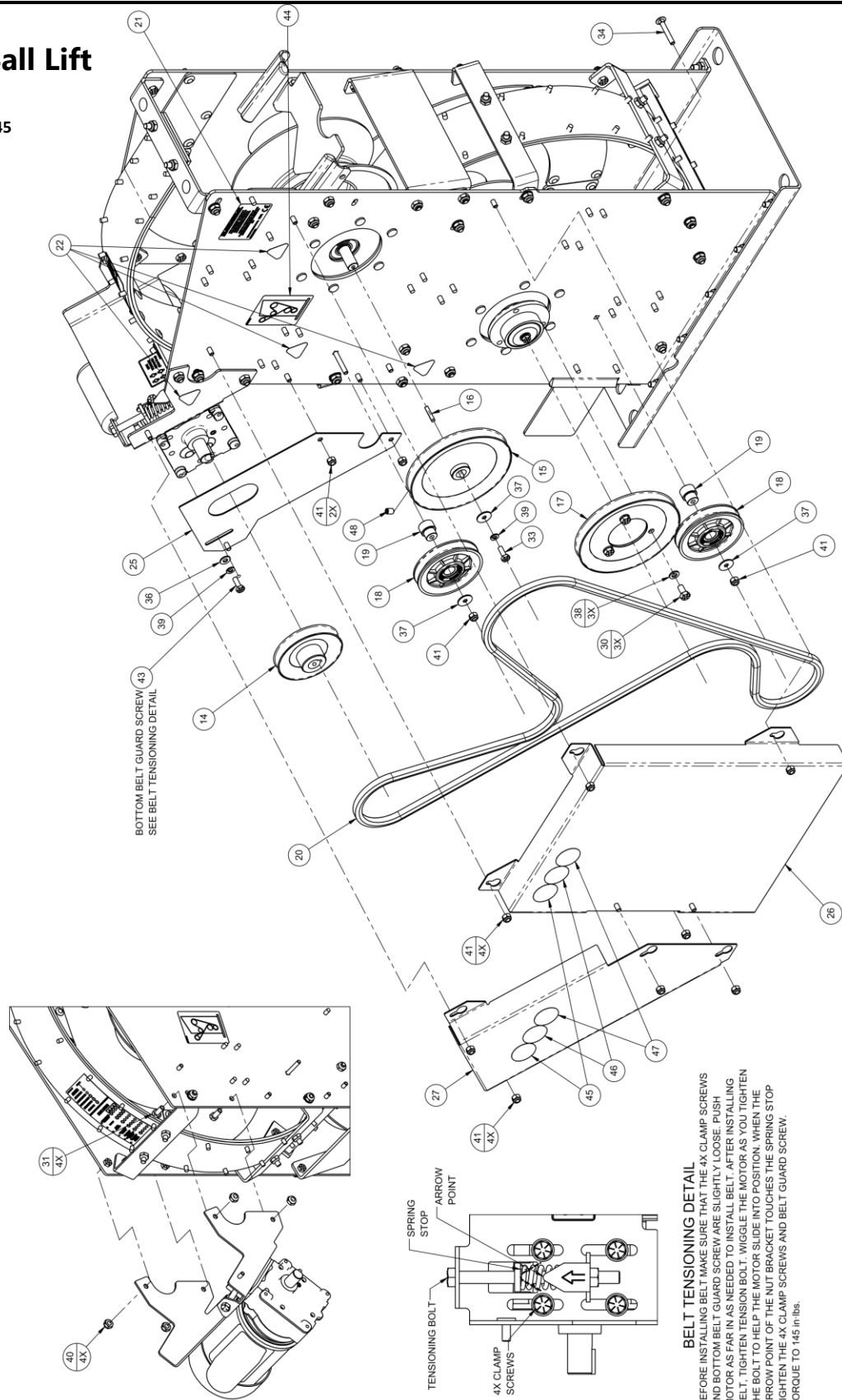




Harmony Ball Lift

View-3

See Part List on Page 45





Harmony Ball Lift

Item	Part No.	Description	Qty
1	*254-001-054	ASM, BASE PLATE	1
2	254-001-301	ASM, SIDE PLATE, ODD	1
3	254-001-302	ASM, SIDE PLATE, EVEN	1
4	254-001-175	ASM, GUIDE, LOWER	1
5	254-001-176	ASM, GUIDE, UPPER	1
6	254-001-067	STIFFENER PLATE	2
7	254-001-068	BRACE, SIDE PLATE	2
8	254-001-396	LOWER SHAFT ASSEMBLY	1
9	250-001-128	PLASTIC BELL HOUSING	1
10	254-001-180	V-WHEEL, RED, TEXTURED	2
11	*254-001-306	ASM, MOTOR & BRKT	1
12	254-001-071	GUARD, V-WHEEL	1
13	254-001-072	TRANSITION RAIL	2
14	254-001-313	SHEAVE, A BELT, 4.00 X .75	1
15	254-001-312	SHEAVE, A BELT, 6.25 X .63	1
16	250-001-258	KEY SQ 0.1875 +.002 X 1.00 Q	1
17	254-001-070	PULLEY	1
18	254-001-314	IDLER, A BELT, 4.00 X .50	2
19	254-001-315	STANDOFF, IDLER MOUNT	2
20	250-001-037	HEX BELT, AA90	1
21	254-001-330	LBL, HARMONY BALL LIFT ID	1
22	294-115-246	DECAL, HAND ENTANGLEMENT	4
23	294-115-238	DECAL, HOT SURFACE	1
24	254-001-147	DECAL, LIFT POINT, DIA 0.75	4
25	254-001-322	HMNY, BELT GUARD, BTM, WLDMNT	1
26	254-001-321	HMNY, BELT GUARD, MAIN, WLDMNT	1
27	254-001-319	HMNY, BELT GUARD, MOTOR TOP	1
28	254-001-177	STICKER, STOP CODES, BALL LIFT	1
29	809-857-165	HHCS 5/16-18 X 1.00 GR8 PB	3
30	809-857-100	HHCS 5/16-18 X 0.63 GR8 BO	6
31	809-857-125	HHCS 5/16-18 X 0.75 GR8 PB	9
32	809-857-145	HHCS 5/16-18 X 0.88 GR8 BO	27
33	809-849-125	HHCS 1/4-20 X 0.75 GR8 BO	3
34	801-249-280	CB 1/4-20 X 1.75 GR5 BO	1
35	948-722-111	FW 5/16 SAE BO	16
36	948-753-101	FW 1/4 SAE BO	3
37	000-026-865	FW 0.25 X 0.88 X 0.06 ZN	3
38	951-156-002	SWM 5/16 ANSI BO	9
39	951-148-008	SWM 1/4 ANSI BO	2
40	839-057-002	HLN 5/16-18 ZN NTU	60
41	838-549-002	HLN 1/4-20 ZN NE	14
42	722-501-095	SFR 0.32 X 0.63 X 0.38 AL	3
43	809-850-125	HHCS 1/4-28 X 0.75 GR8 PB	1
44	254-001-335	DECAL, BELT PATH, HARMONY	1
45	254-001-337	DECAL, READ MANUAL	2
46	254-001-338	DECAL, GUARDS	2
47	254-001-339	DECAL, LOCK OUT	2
48	807-249-060	SSS 1/4-20 X 0.38 CUP BO PA	1

- - Not for resale