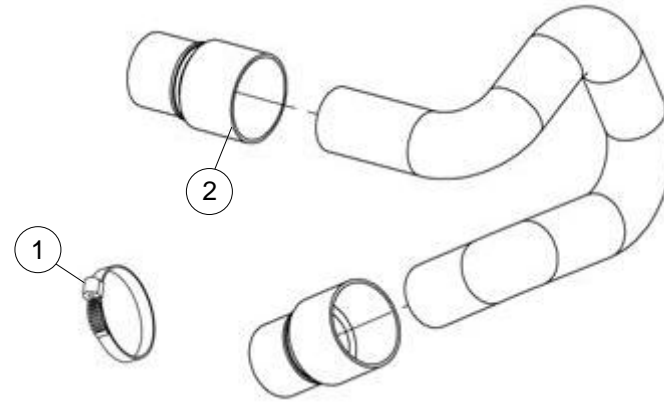


Vacuum Hose Assembly & Clamp

	NUMBER	DESCRIPTION
1	04-120	HOSE CLAMP
2	04-150	SLIP ADAPATER



Vacuum Motor & Bracket Assembly

	NUMBER	DESCRIPTION
1a	02-214	VAC MOTOR, 110V
1b	02-255	VAC MOTOR, 220V
2a	294-116-047	VAC MOTOR ASM, 110V (INC. 1a,4,5 & 6)
2b	294-116-046	VAC MOTOR ASM, 220V (INC. 1b,4,5 & 6)
3	294-116-117	VAC MOTOR BRACKET ASM
4	746-013-498	CONNECTOR, 2 POSITION

	NUMBER	DESCRIPTION
5	760-019-223	CRIMP TERMINAL, FEMALE, 14-20 AWG
6	801-749-121	SCREW, FLANGE HEAD HEX, 1/4-20 X 3/4
7	A-8307	WASTE TANK SEAL, 1/2 THICK

