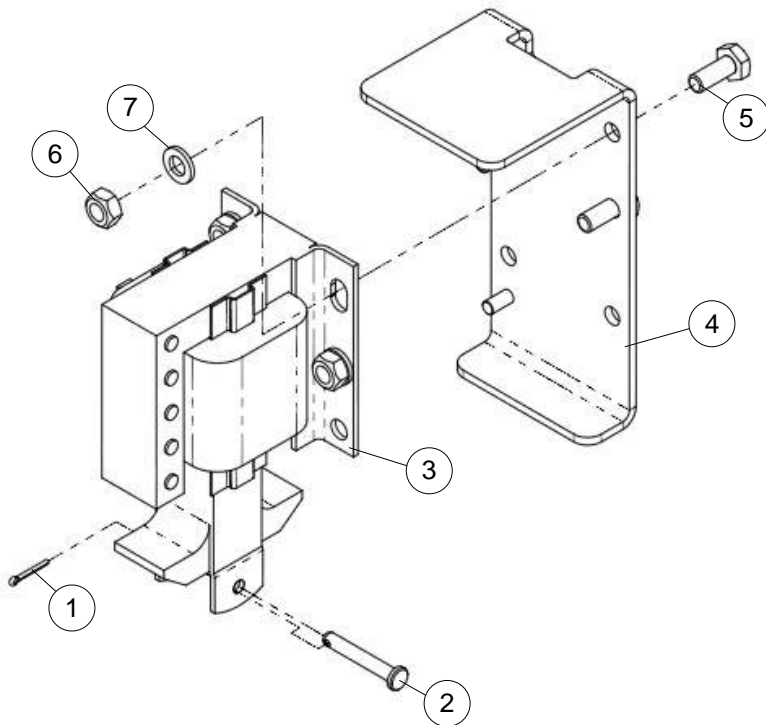


Vacuum Head Solenoid & Bracket Assembly

	NUMBER	DESCRIPTION
1	01-080	PIN, COTTER, 1/16 X 1/2 LG
2	01-495	PIN, CLEVIS, 3/16 X 1-1/4 LG
3	294-002-033 294-002-274	SOLENOID, 110V, 60 HZ, LEFT HAND SOLENOID, 220V, 50HZ, LEFT HAND
4	294-116-123	VAC SOLENOID BRACKET ASM
5	809-849-100	SCREW, HEX, 1/4-20 X 5/8
6	844-049-002	NUT, STOVER LOCK, 1/4-20
7	945-548-000	WASHER, FLAT, 1/4



Vacuum Head Tensioner Assembly – 294-116-128

	NUMBER	DESCRIPTION
1	01-021	SCREW, PAN HEAD, 10-32 X 1/2
2	01-033	WASHER, EXT TOOTH LOCK, #10
3	294-116-126	SPRING
4	294-116-127	VAC HEAD SPRING BLOCK
5	948-545-072	WASHER, MACHINE, #10

