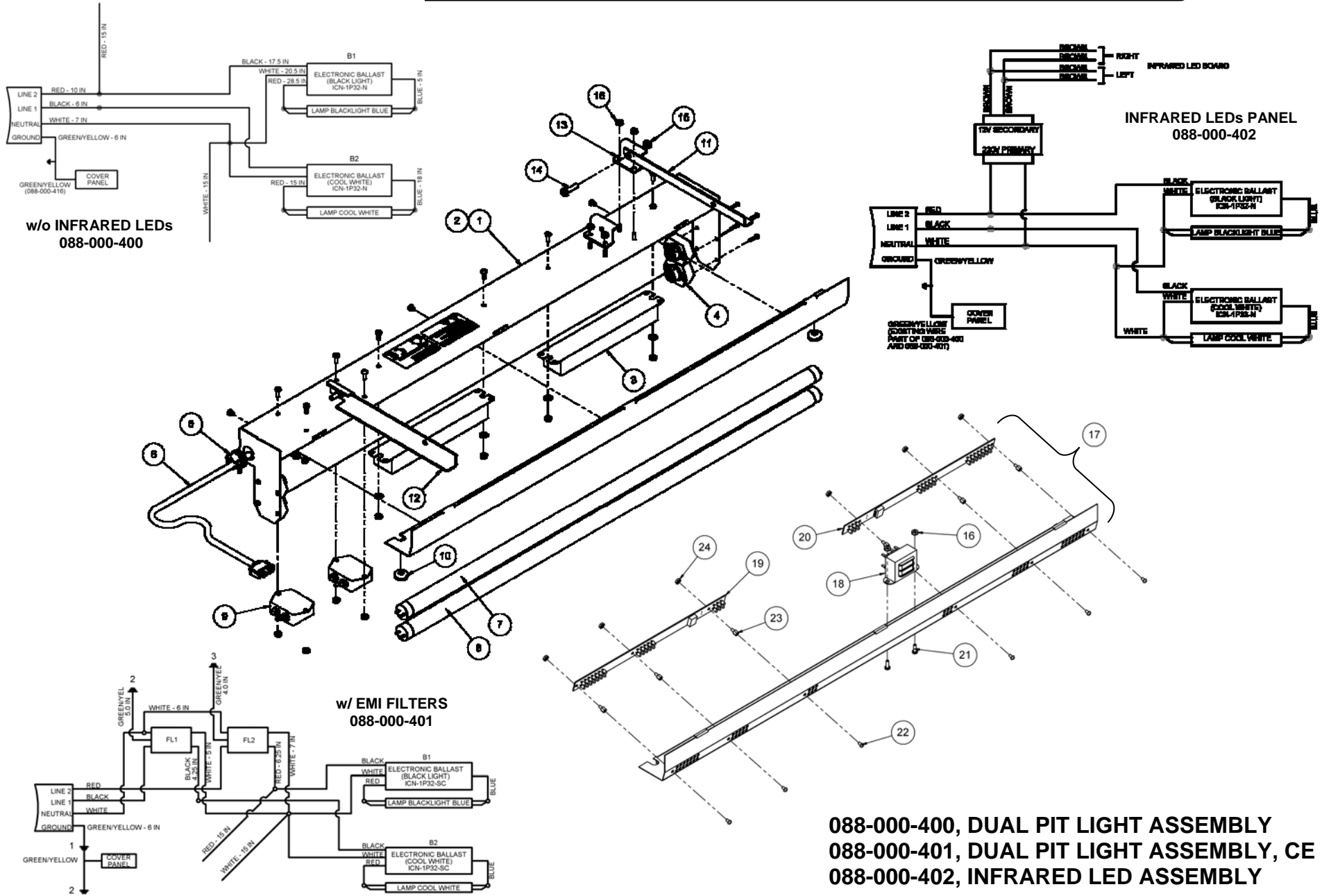


# DUAL PIT LIGHT ASSEMBLY





## DUAL PIT LIGHT ASSEMBLY

ITEM	QTY	PART #	DESCRIPTION
1	1	088-000-400	DUAL PIT LIGHT ASSEMBLY, DOMESTIC
2	1	088-000-401	DUAL PIT LIGHHT ASSEMBLY, CE
3	2	740-501-017	BALLAST, INSTANT START
4	2	751-002-159	FLUORESCENT BULB SOCKET
5	1	744-107-053	CABLE CLAMP
6	1	088-000-025	POWER CABLE
7	1	751-001-471	DAYLIGHT BULB, 36"
8	1	751-001-460	BLACKLIGHT BULB, 36"
9	2	770-029-255	EMI FILTER, (088-000-401 UNITS ONLY)
10	2	711-520-017	GROMMET
11	1	070-001-907	PITLIGHT ANGLE BRACKET, 10-PIN SIDE
12	1	070-001-908	PITLIGHT ANGLE BRACKET, 7-PIN SIDE
13	3	090-008-043	DUAL PITLIGHT MOUNTING BRACKET
14	2	809-849-165	SCREW, HEX, ¼-20 X 1
15	2	844-049-002	NUT, STOVER LOCK, ¼-20
16	16	843-133-002	NUT, KEPS, 8-32
17	1	088-000-402	INFRARED LED ASSEMBLY
18	1	088-000-009	TRANSFORMER, 220V/12V
19	1	088-000-411	INFRARED LED BOARD, LONG WIRE
20	1	088-000-412	INFRARED LED BOARD, SHORT WIRE
21	2	818-233-082	SCREW, PAN HEAD, 8-32 X ½
22	6	818-227-042	SCREW, ROUND HEAD, 6-32 X ¼
23	6	722-506-075	STANDOFF, ¼ HEX, 6-32 X ¼, M-F
24	6	843-127-002	NUT, KEPS, 6-32

ITEM	QTY	PART #	DESCRIPTION
------	-----	--------	-------------