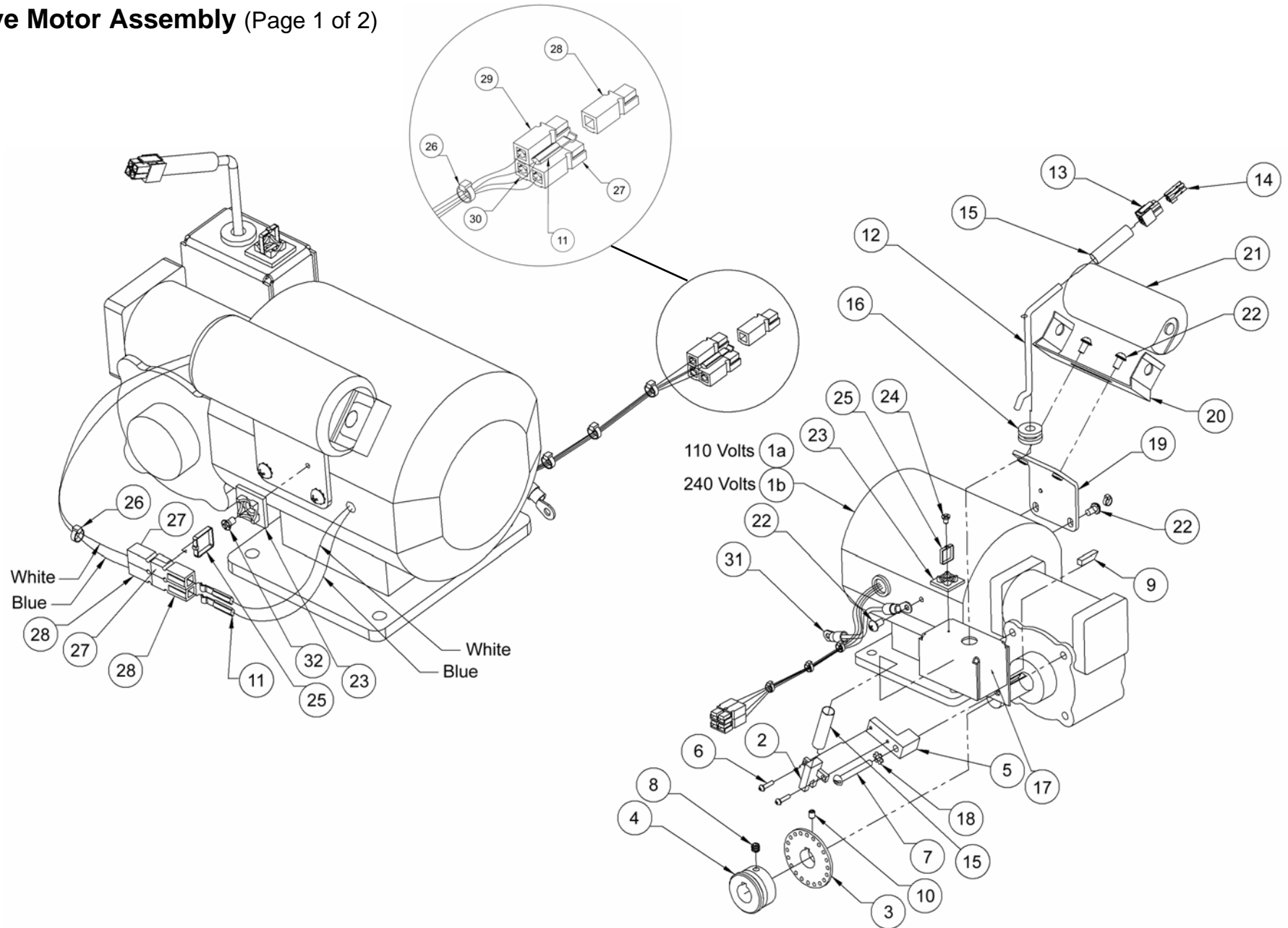


Drive Motor Assembly (Page 1 of 2)



Drive Motor Assembly (Page 2 of 2)

	NUMBER	DESCRIPTION
1a	02-525	Drive Motor: 110V
1b	294-115-325	Drive Motor: 240V
2	294-115-046	Encoder
3	294-115-045	Counter Wheel
4	03-032	Sprocket, Drive Motor
5	294-115-047	Encoder Mounting Bracket
6	817-921-060	Screw: 1/4-40 X 1/2, Phillips, Pan Head, SEMS
7	01-028	Screw: #10-32 X 1.5, Phillips, Round Head, SEMS
8	04-041	Screw: 1/4-20 X 1/4, Set, Socket Head, Cup Point
9	A-0537	Drive Sprocket Key
10	01-097	Screw: #10-32 X 1/4, Set, Socket Head, Cup Point
11	02-793	Contact, 15 AMP, 16-20 AWG Wire
12	02-308	Wire, Shielded, 4 Conductor, 22 AWG, Alpha 2404C, 19" long
13	294-115-127	Connector Receptacle, 4 Position, Mini Fit Jr
14	02-299	Female Terminal, 18-24 AWG
15	02-087	Heat Shrink, 3/8 ID X 1-1/2
16	04-078	Rubber Grommet-Handle
17	294-115-133	Encoder Guard
18	01-033	Washer, #10, External Tooth Lock, Zinc
19	294-115-296	Drive Motor Capacitor Mount Assembly
20	02-525-2	Capacitor Bracket (Supplied With Motor)
21	02-525-1	Capacitor (Supplied With Motor)
22	818-240-062	Screw, 10-32 X 3/8, Phillips, Pan Head, SEMS
23	02-539	Flat Tie Holder w/Adhesive & #6 Hole
24	01-355	Screw, #6 X 1/4, Phillips, Flat head, Zinc
25	04-065	Plastic Wire Tie
26	04-065	Plastic Wire Tie
27	294-115-306	Housing, Powerpole 15/45, Blue
28	294-115-305	Housing, Powerpole 15/45, White
29	294-115-304	Housing, Powerpole 15/45, Black
30	294-115-303	Housing, Powerpole 15/45, Red
31	294-115-308	Ground Wire Assembly
32	01-114	Screw, #6-32 X 1/4, Phillips, Flat Head, Zinc