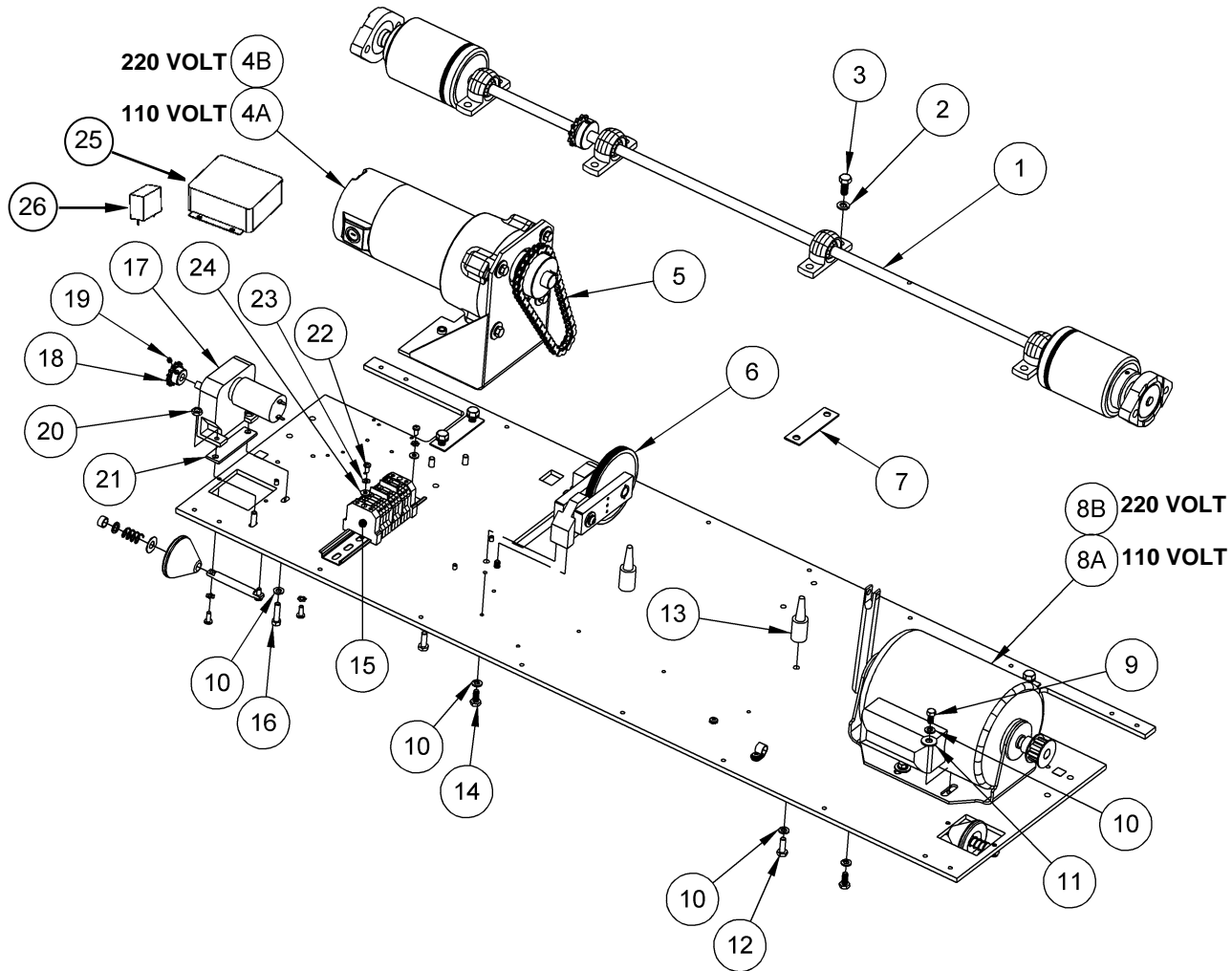


BASE PLATE ASSEMBLY DRIVE MOTOR, BUFFER MOTOR, DRIVE SHAFT



BASE PLATE ASSEMBLY DRIVE MOTOR, BUFFER MOTOR, DRIVE SHAFT

PART NO.	DESCRIPTION	QTY	
1	SA-0279*	DRIVE SHAFT ASSEMBLY	1
2	01-063	LOCK WASHER, 5/16 SPLIT	8
3	01-059	SCREW, 5/16-18 X 3/4 HEX HEAD	8
4A	SA-0259*	DRIVE MOTOR ASSEMBLY, 110V MACHINE	1
4B	SA-0291*	DRIVE MOTOR ASSEMBLY, 220V MACHINE	1
5	A-0855	CHAIN, #35, 17-5/8 LENGTH	1
6	294-002-542*	COUNTER WHEEL ASSEMBLY	1
7	A-0073	PILLOW BLOCK SHIM	4
8A	294-002-350*	BUFFER MOTOR ASSEMBLY, 110 VOLT	1
8B	294-002-270*	BUFFER MOTOR ASSEMBLY, 220 VOLT	1
9	01-115	SCREW, 1/4-20 X 1/2 HEX HEAD	4
10	01-054	LOCK WASHER, 1/4 SPLIT	9
11	01-056	FLAT WASHER, 1/4 USS	4
12	01-046	SCREW, 1/4-20 X 3/4 HEX HEAD	5

PART NO.	DESCRIPTION	QTY	
13	A-8331	TANK LOCATING PIN	2
14	01-044	SCREW, 1/4-20 X 5/8 HEX HEAD	2
15	02-015	TERMINAL BLOCK SECTION	12
16	01-048	SCREW, 1/4-20 X 1 HEX HEAD	2
17	02-767	TRANSFER ROLLER MOTOR	1
18	294-001-006	SPROCKET, #25, 14 TOOTH, 3/8 BORE	1
19	01-188	SET SCREW, 10-24 X 1/4, CUP POINT	1
20	835-549-002	NUT, 1/4-20 THIN	2
21	294-002-082	TRANSFER ROLLER MOTOR SPACER	1
22	01-009	SCREW, 8-32 X 3/8 PAN HEAD	6
23	951-632-060	WASHER, #8, EXTERNAL TOOTH, LOCK	2
24	01-109	WASHER, #8 USS, WROUGHT	2
25	294-002-120	30-VK6 RFI POWER LINE FILTER (in 220V only)	1
26	02-038	CAPACITOR, 1.0uf, 250V (in 220V only)	1

* For more information, refer to the individual part drawing.