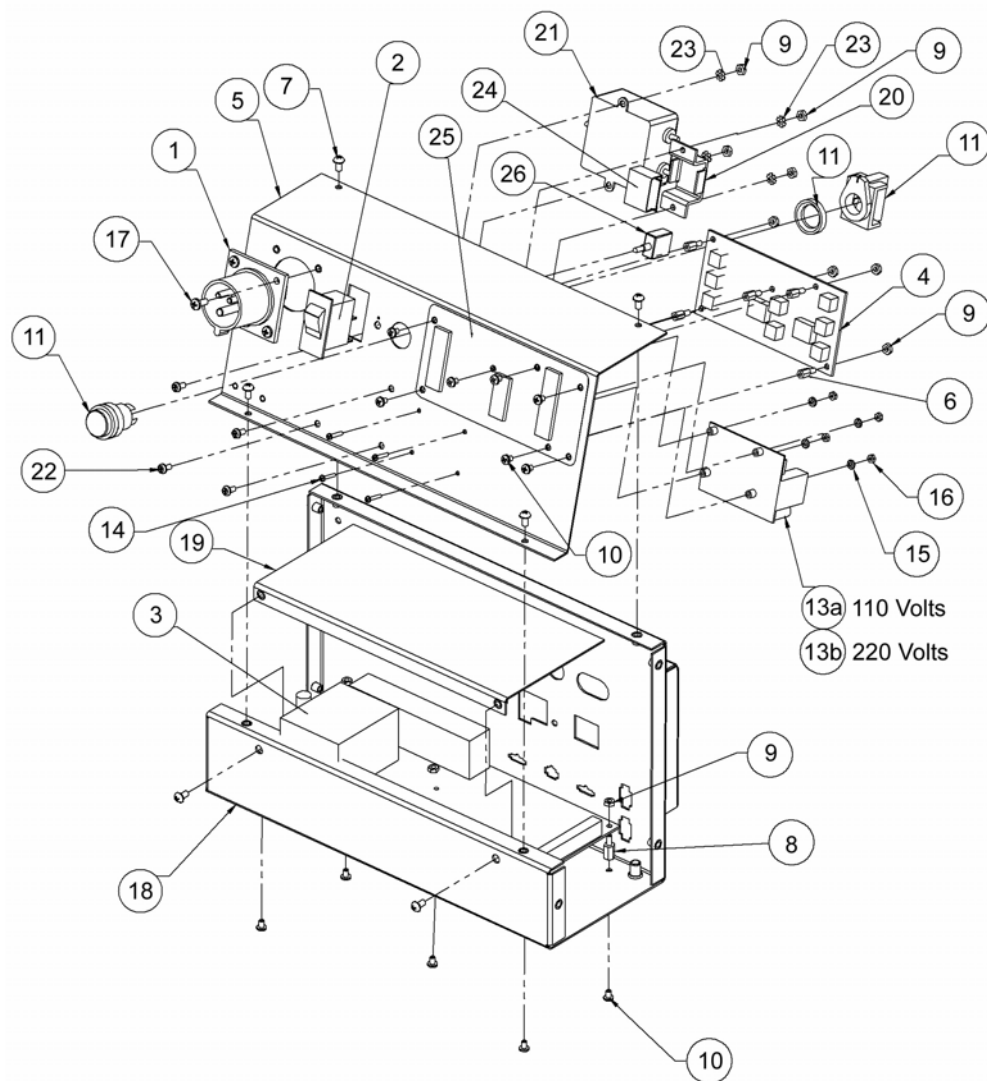


294-115-263 Control Box Enclosure Assembly (110V) (Page 1 of 2)
294-115-253 Control Box Enclosure Assembly (240V)

	NUMBER	DESCRIPTION
1	294-002-218	Panel Mount, Power Inlet
2	294-002-323	Circuit Breaker, 30 A
3	294-115-155	Control Board
4	294-115-026	Interface Board Assembly
5	294-115-262	Control Box - Face Plate Assembly
6	294-115-291	Standoff, #8-32 X 3/8 Long, Male - Female
7	818-240-062	Screw, 10-32 X .375, Phillips, Pan Head, Sems
8	294-115-142	Standoff, #8-32 X .500 Male/Female
9	843-133-002	Nut, #8-32 Keps, Zinc
10	01-008	Screw, #8-32 X 1/4, Phillips, Pan Head
11	294-115-197	E - Stop Assembly, Normally Closed
12	04-078	Rubber Grommet - Handle
13a	SA-1199	Brake Board, 110V
13b	SA-1200	Brake Board, 220V
14	01-339	Screw, #4-40 X 5/8, Phillips, Pan Head, Zinc
15	01-005	Washer, #6, Ext Tooth Lock, Zinc
16	01-107	Nut, #4-40, Hex, Zinc
17	01-021	Screw, #10-32 X 1/2, Phillips, Pan Head
18	294-115-254	Control Box, Base
19	294-115-258	Control Box, Divider Assembly
20	294-002-150	Capacitor Bracket
21	02-040	K - Series RFI Power Line Filter
22	01-009-1	Screw, #8-32 X 3/8 Pan Head
23	951-632-060	Washer, #8, Ext Tooth Lock, Zinc
24	02-038	Capacitor 1.0mf, 250V
25	294-115-228	Membrane Cover - Control Box Express
26	294-115-311	Drive Motor Kill Switch



294-115-263 Control Box Enclosure Assembly (110V) (Page 2 of 2)
294-115-253 Control Box Enclosure Assembly (240V)

NUMBER	DESCRIPTION
1	294-115-255 Control Box, Side
2a	294-115-271 Relay Board, Express 110V
2b	294-115-202 Relay Board, Express 240V
3	294-115-141 Standoff, #8-32 X .25 Male/Female
4	818-240-062 Screw, 10-32 X .375, Phillips, Pan Head, Sems
5	843-133-002 Nut, #8-32 Keps, Zinc
6	01-008 Screw, #8-32 X 1/4, Phillips, Pan Head
7	04-078 Rubber Grommet - Handle
8	294-115-254 Control Box, Base
9	294-115-231 Back Control Box Cover
10	294-115-266 Decal - Control Box Wiring

