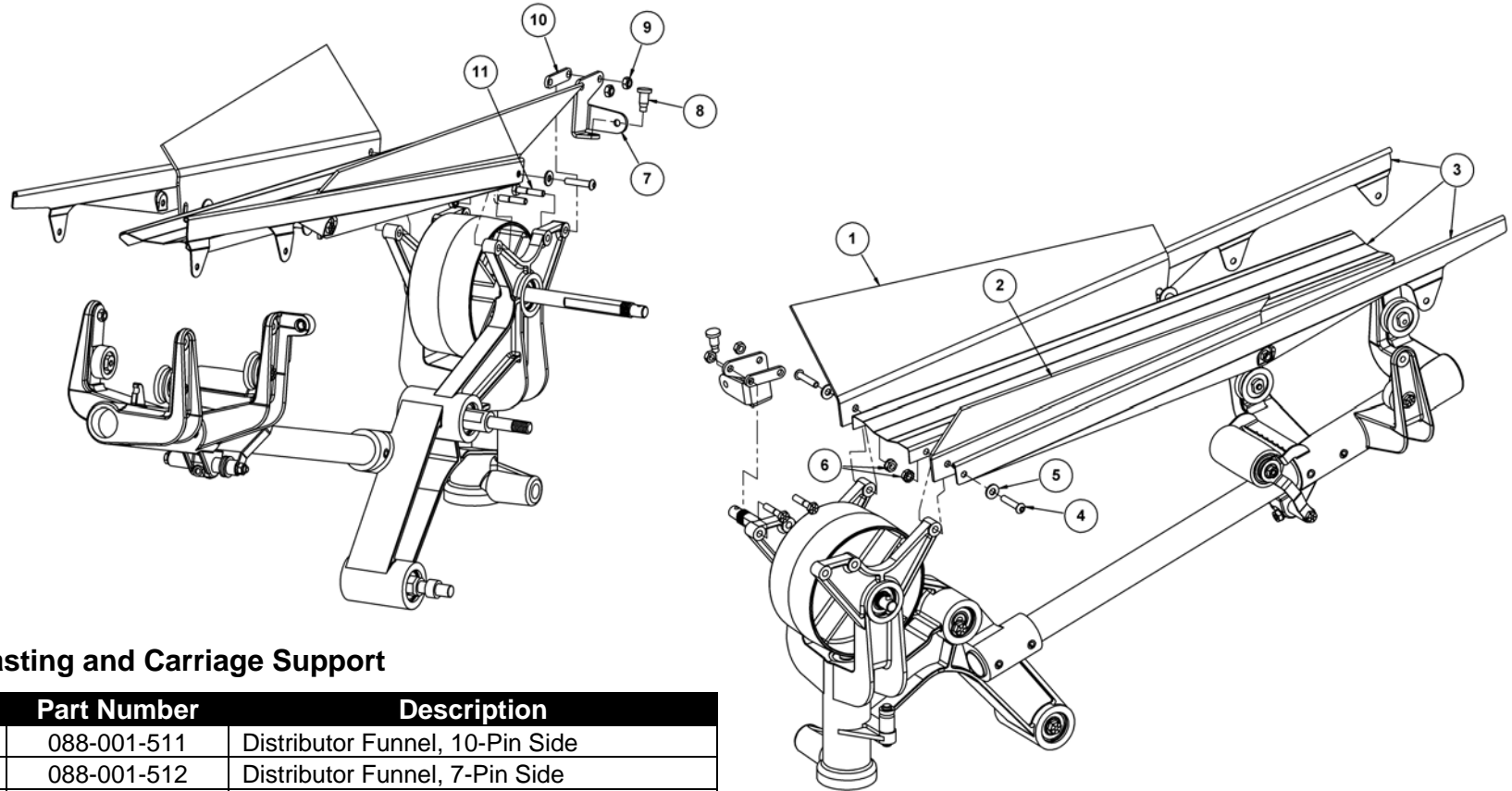




## QubicaAMF XLi EDGE Distributor



### Main Casting and Carriage Support

Item	Part Number	Description
1	088-001-511	Distributor Funnel, 10-Pin Side
2	088-001-512	Distributor Funnel, 7-Pin Side
3	<b>070-006-846</b>	<b>Rear Belt Runner Assembly</b>
4	808-549-200	Screw, Button Head, ¼-20 x 1¼
5	948-753-102	Washer, Flat, ¼
6	843-149-002	Nut, Keps, ¼-20,
7	070-006-084	Trip Stop Support Bracket
8	070-006-142	Bumper
9	844-049-002	Nut, Stover Lock, ¼-20,
10	088-001-548	Trip Arm Spacer
11	809-849-205	Screw, Hex, ¼-20 x 1¼,