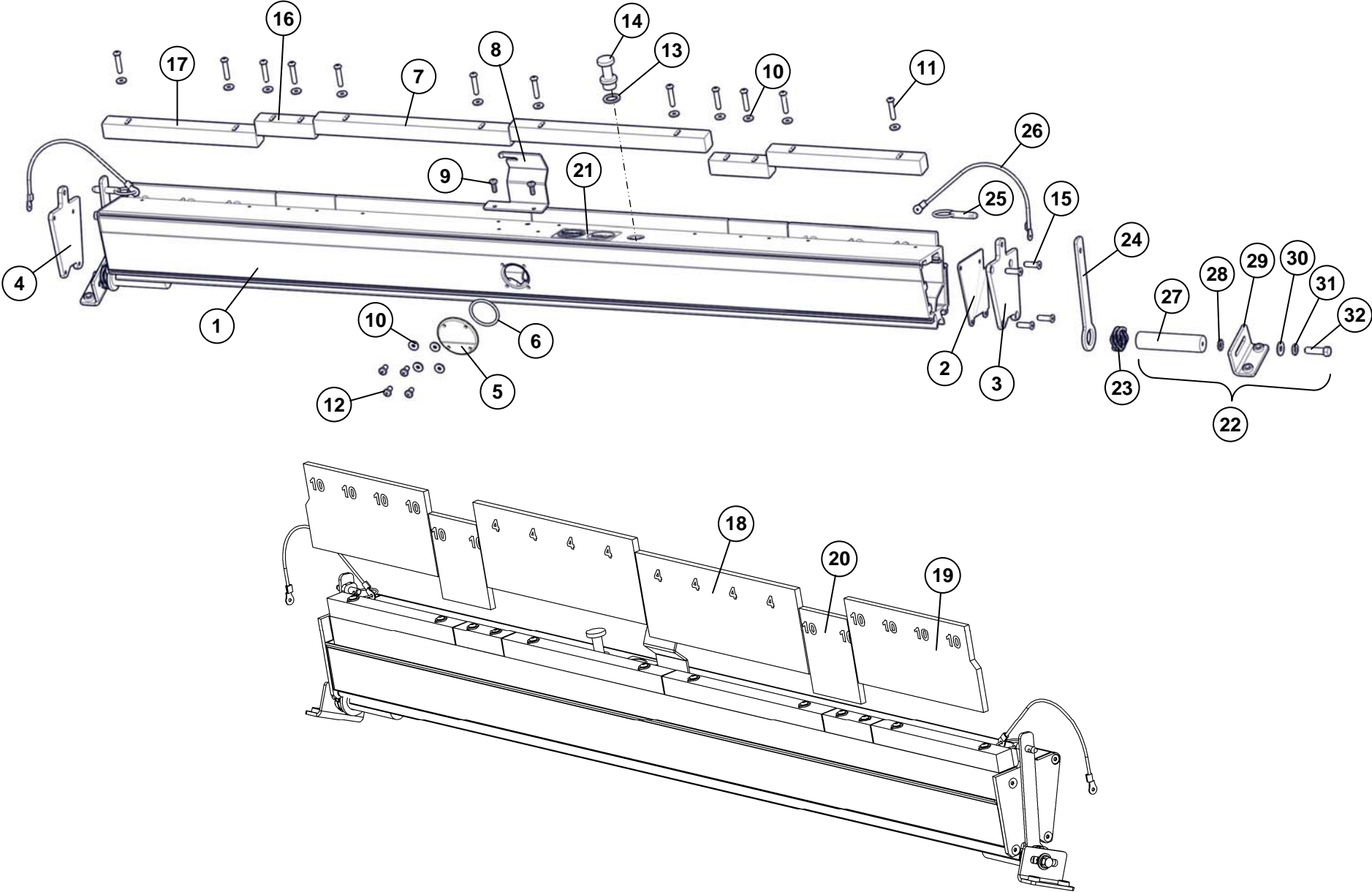


### Oiling & Buffing System – Oil Tank Assembly



## Oiling & Buffing System – Oil tank Assembly

	NUMBER	DESCRIPTION
1	294-115-508	Oil Tank, Machined
2	294-115-509	Oil Tank Gasket
3	294-115-510	Oil Tank End Cap – Right
4	294-115-511	Oil Tank End Cap – Left
5	294-115-512	Sight Glass Disk
6	294-115-513	O-Ring
7	294-115-515	10-inch Adjusting Bar
8	294-115-529	Tank Pull Bracket
9	01-010	Screw, Pan Head, 8-32 x ½
10	01-109	Wrought Washer, #8 USS
11	808-533-167	Screw, Hex Socket Button Head, 8-32 x 1
12	01-009	Screw, Pan Head, 8-32 x 3/8
13	04-093	Rubber Seal
14	A-0330	Tank Plug
15	294-115-516	Screw, Flat Head Torx, 10-24 x ¾
16	294-115-530	3-inch Adjusting Bar
17	294-115-531	7-inch Adjusting Bar
18	294-115-551	10-inch Foam Wick, SHO
19	294-115-665	7+-inch Foam Wick, MLO
20	294-115-553	3-inch Foam Wick, MLO
21	294-115-667	Overfill Sticker
22	294-115-682	Oil Tank Mount Assembly
23	294-115-705	Wave Spring
24	294-115-706	Oil Tank Retaining Bracket
25	294-115-701	Quick Release Pin
26	04-335	Cable Assembly, 8"
27	294-115-681	Oil Tank Mounting Bar
28	01-053	Lock Washer, ¼, External Tooth
29	294-115-683	Oil Tank Mounting Bracket Assembly
30	948-753-101	Flat Washer, ¼, Black
31	951-148-008	Lock Washer, ¼, Split, Black
32	01-048	Screw, Hex, ¼-20 x 1

## Replacement Foam Wicks

Relative Oil Output	Stencil # Firmness/	Part Number	Length
Super Low (SLO)	13	294-115-654	48"
Extra Low (XLO)	12	294-115-653	48"
Low (LO)	11	294-115-652	48"
Medium Low (MLO)	10	294-115-482	48"
Medium (MO)	8	294-115-484	48"
Medium High (MH)	6	294-115-486	48"
High (HO)	5	294-115-488	48"
Super High (SHO)	4	294-115-490	48"