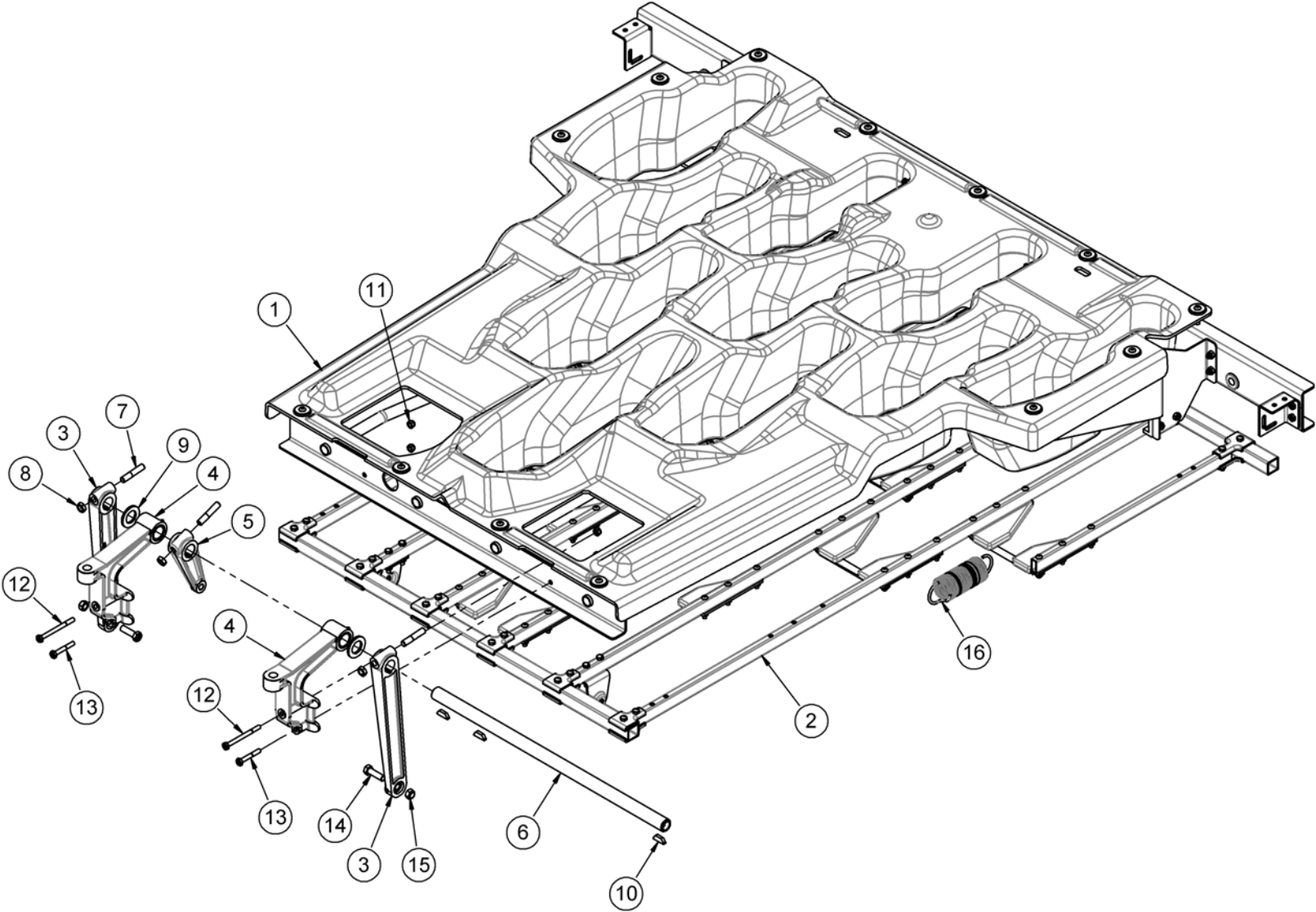


DURABIN II SHUTTLE ACTUATOR





DURABIN II SHUTTLE ACTUATOR

ITEM	QTY	PART #	DESCRIPTION	ITEM	QTY	PART #	DESCRIPTION
1	1	088-000-228	DURABIN II (BSO) ASSEMBLY ON FRAME				
2	1	088-500-162	DURABIN II SHUTTLE ASSEMBLY				
3	2	070-006-429	SHUTTLE OPERATING ARM; RH & LH				
4	2	070-006-358	BRACKET ASSEMBLY				
5	1	070-006-408	LEVER; FRONT END ASSEMBLY				
6	1	070-006-402	SHAFT, BIN ASSEMBLY				
7	3	070-006-403	STUD CLAMP				
8	3	831-565-002	NUT, HEX, 3/8 -16				
9	2	701-329-050	OILITE BEARING, 1.500 X .8905 X.125				
10	3	907-000-600	KEY, HY PRO # 706				
11	4	839-549-002	NUT, 1/4 - 20 HEX				
12	2	809-849-485	SCREW, HEX, 1/4 - 20 X 3, HD, BLACK				
13	2	809-849-285	SCREW, HEX, 1/4 - 20 X 1-3/4				
14	2	809-865-205	SCREW, HEX, 3/8 - 16 X 1-1/4				
15	2	844-065-002	NUT, 3/8 - 16, STOVER				
16	1	070-006-447	SHUTTLE SPRING				