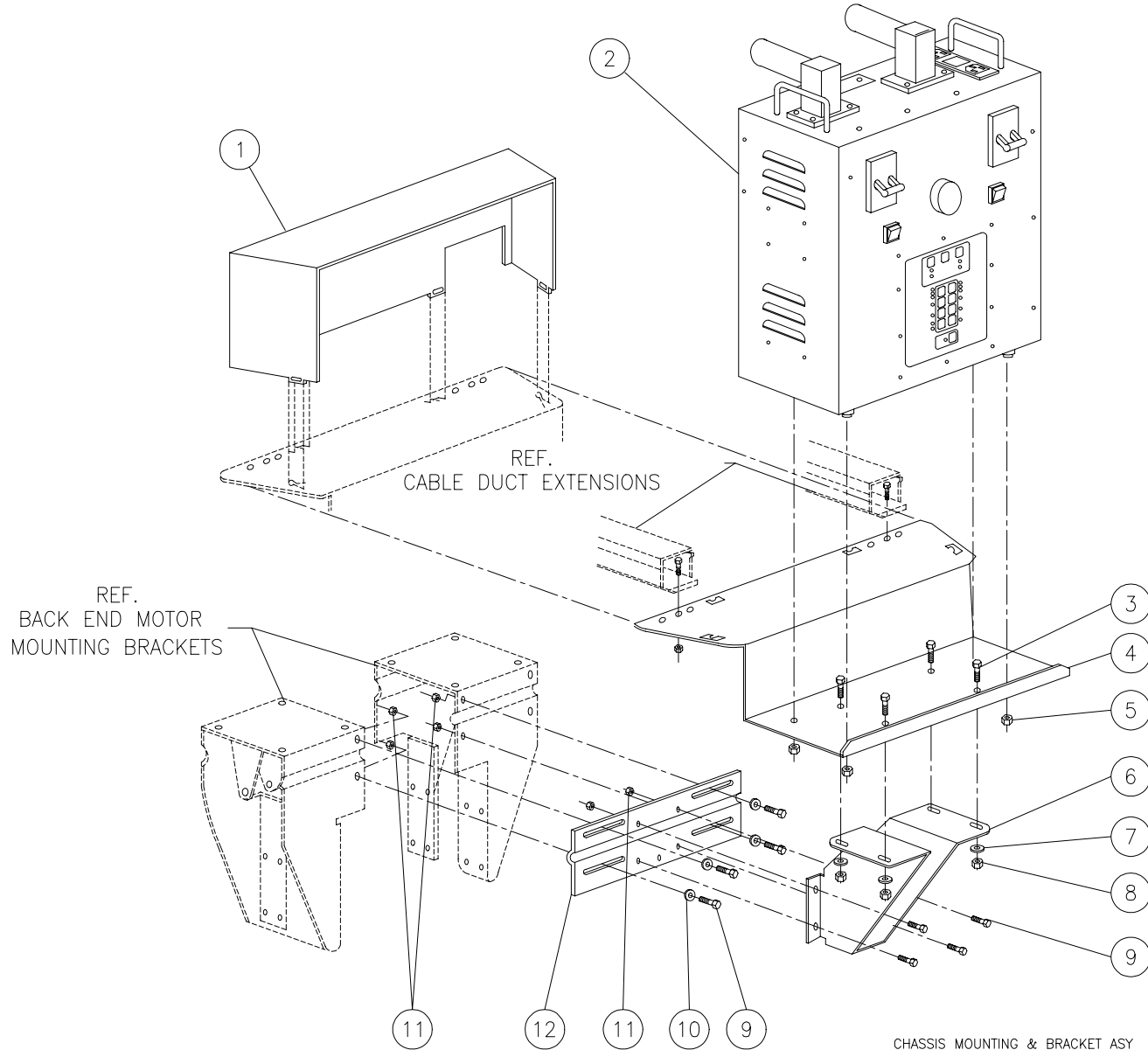


# CHASSIS & MOUNTING BRACKET ASSEMBLY





## CHASSIS & MOUNTING BRACKET ASSEMBLY

ITEM	QTY	PART #	DESCRIPTION
1	1	090-004-707	CHASSIS COVER
2	1	090-008-965	90XL PINSPOTTER CONTROL CHASSIS (220V 50/60Hz)
3	4	809-849-125	SCREW, HEX, 1/4 - 20 X 3/4
4	1	090-004-706	CHASSIS MOUNTING BRACKET
5	4	835-549-002	NUT, HEX JAM, 1/4 - 20
6	1	090-004-514	CHASSIS MOUNTING BRACKET SUPPORT
7	4	948-753-102	WASHER, FLAT, 9/32 X 5/8 X 1/16
8	4	844-049-002	NUT, STOVER LOCK, 1/4 - 20
9	8	809-857-125	SCREW, HEX, 5/16 - 18 X 3/4
10	4	948-761-112	WASHER, FLAT, 11/32 X 11/16 X 1/16
11	8	844-057-002	NUT, STOVER LOCK, 5/16 - 18
12	1	090-004-513	TIE PLATE

ITEM	QTY	PART #	DESCRIPTION
------	-----	--------	-------------