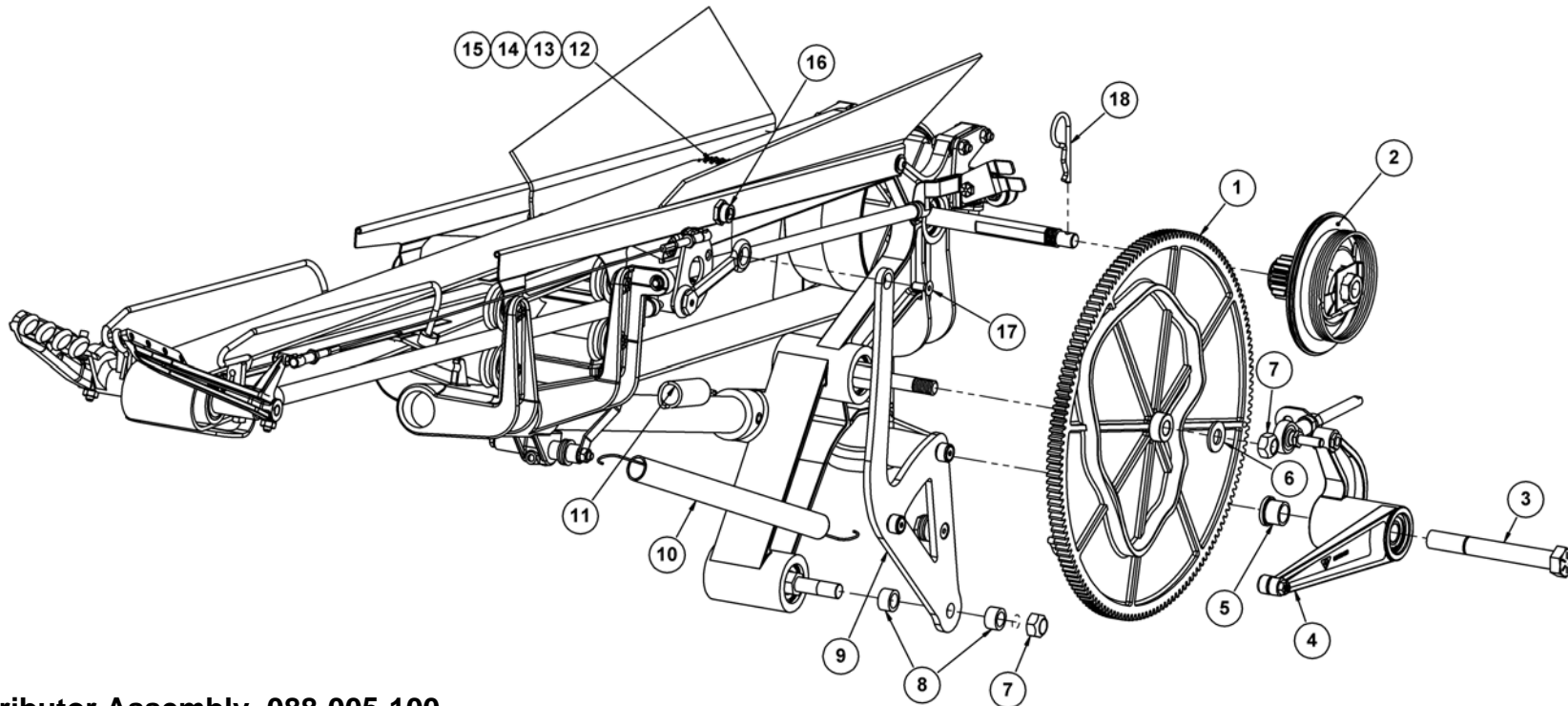


# SECTION 6.0

## Drawings and Parts Lists



**Distributor Assembly, 088-005-100**

Item	Part Number	Description
1	088-005114	Distributor Index Cam
<b>2</b>	<b>090-006-266</b>	<b>Distributor Clutch Assembly</b>
3	070-006-048	Special Bolt
<b>4</b>	<b>070-006-839</b>	<b>Distributor Drive Arm Assembly</b>
5	070-006-065	Race Clamp
6	948-975-172	Flat Washer, .53 x 1.06 x .10
7	844-073-002	Nut, ½-13 Stover Lock
8	722-501-088	Spacer, .51 x .75 x .42
<b>9</b>	<b>088-005-117</b>	<b>Carriage Drive Cam Arm Assembly</b>

Item	Part Number	Description
10	070-006-034	Linear Spring
11	000-026-031	Belt Tensioner Spring
12	088-000-185	Distributor Belt, Laced
13	088-000-186	UX-1 Belt Lacing – 18 Hooks
14	088-000-187	UX-1 Belt Lacing – 19 Hooks
15	088-000-176	Distributor Belt Pin
16	000-022-173	Special Nut, Roller Drive Assembly
17	808-849-100	Screw, ¼-20 x 5/8, Hex Socket Flat Head
18	088-000-184	Hitch Pin

**Bold items indicate that a detailed drawing for that assembly is shown on the following pages.**