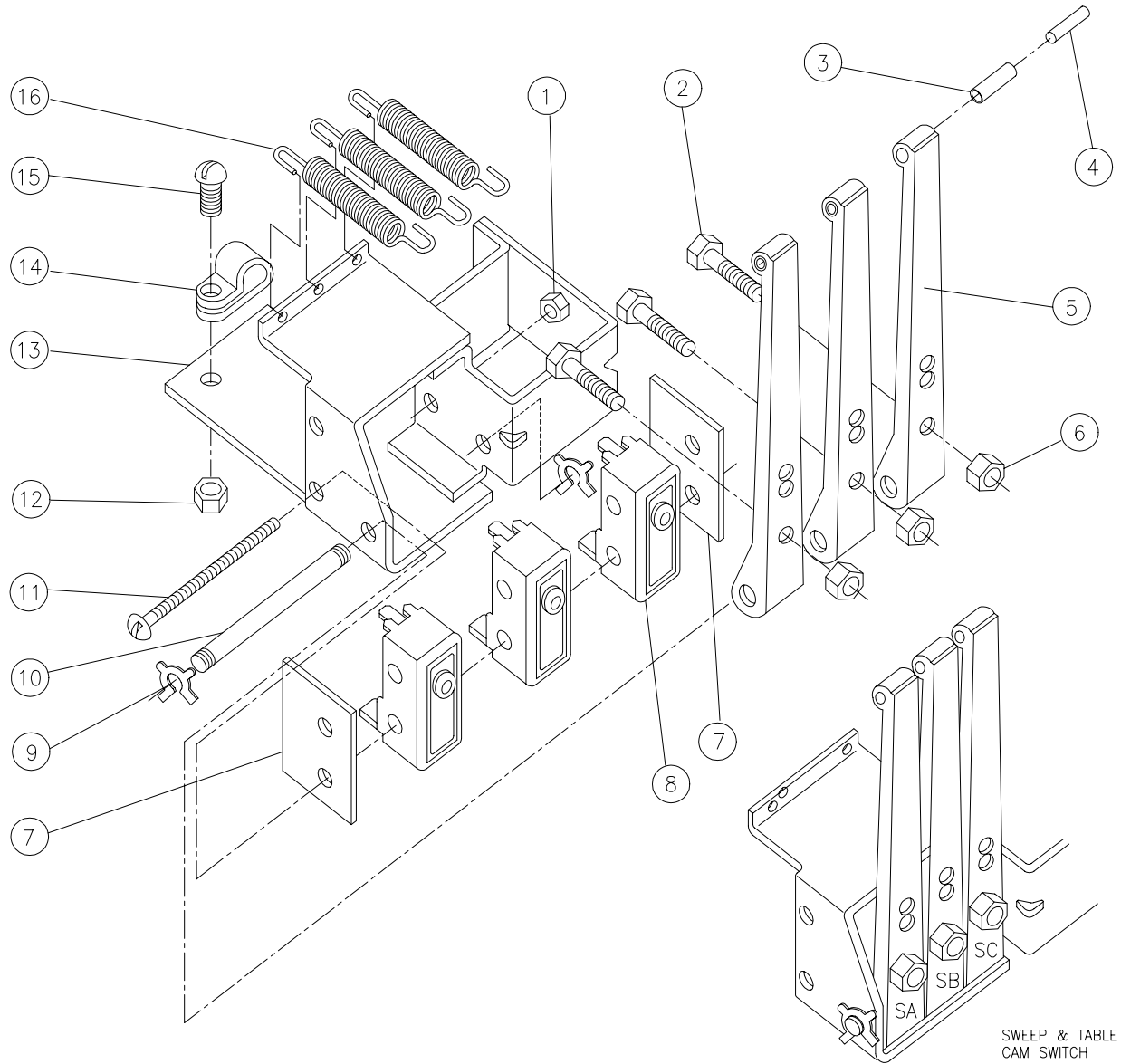


SWEEP & TABLE CAM SWITCH



SWEEP & TABLE
CAM SWITCH



SWEEP & TABLE CAM SWITCH

ITEM	QTY	PART #	DESCRIPTION
1	2	843-127-002	NUT, HEX LOCK, 6 - 32
2	3	000-021-714	ADJUSTING SCREW
3	3	000-027-016	ROLLER
4	3	922-323-090	RIVET, SEMI-TUBULAR RD HD, .125 X 9/16
5	3	070-001-644	LEVER
6	3	835-550-002	NUT, HEX JAM, 1/4 - 28
7	2	000-021-575	INSULATOR
8	3	000-026-042	MICROSWITCH
9	2	963-200-002	X-WASHER, 1/8
10	1	000-026-401	SHAFT
11	2	818-227-402	SCREW, RD HD, 6 - 32 X 2-1/2, SEMS
12	1	843-133-002	NUT, HEX LOCK, 8 - 32
13	1	000-026-419	HOUSING WELDMENT
14	1	744-107-013	NYLON CLAMP, 1/8
15	1	818-233-082	SCREW, ROUND HEAD, 8 - 32 X 1/2, SEMS
16	3	000-024-657	SPRING

ITEM	QTY	PART #	DESCRIPTION
------	-----	--------	-------------