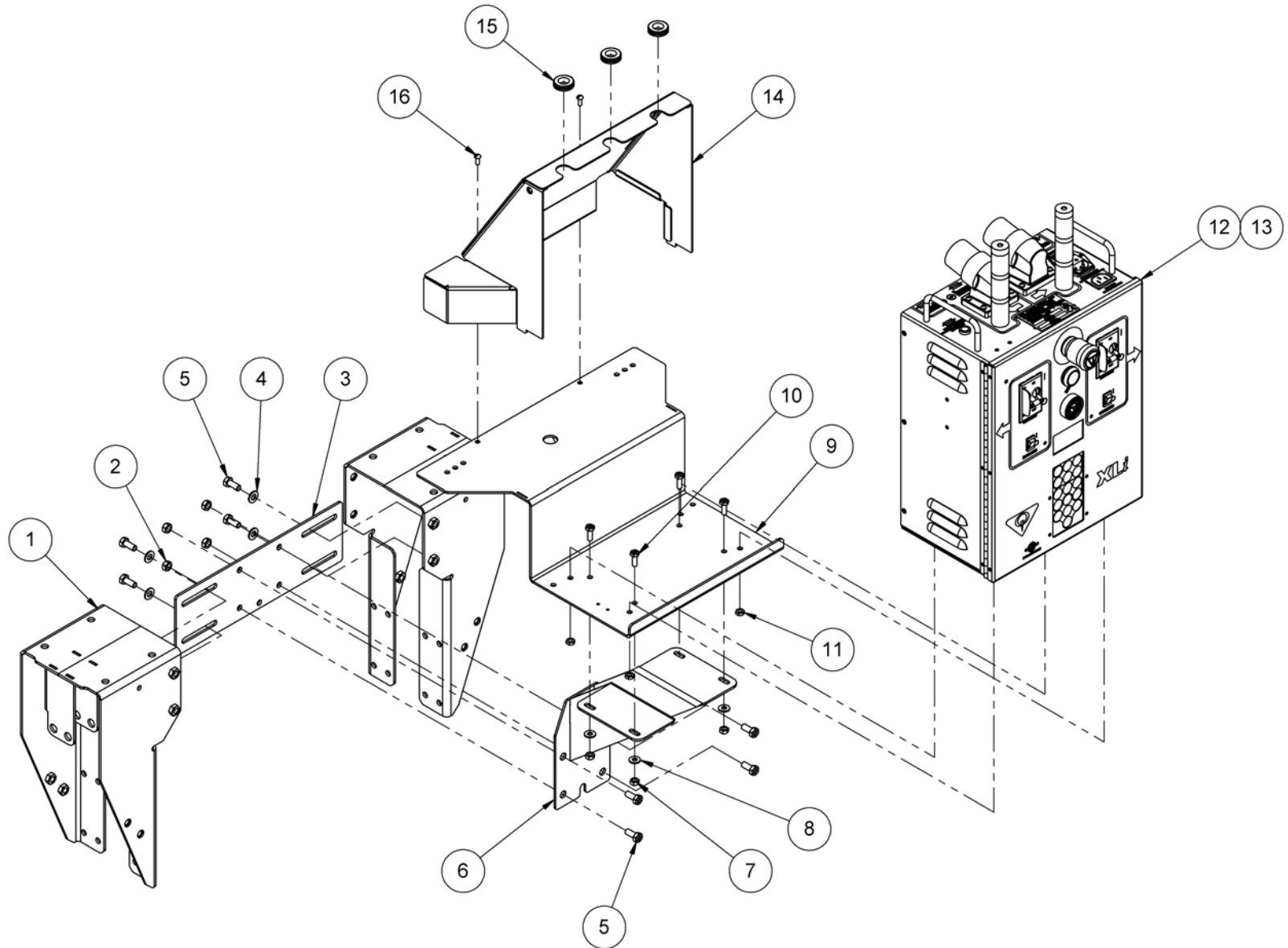


# CHASSIS & MOUNTING BRACKET ASSEMBLY





## \*CHASSIS & MOUNTING BRACKET ASSEMBLY

ITEM	QTY	PART #	DESCRIPTION	ITEM	QTY	PART #	DESCRIPTION
1	2	088-001-800	BACK END MOTOR MOUNT WELDMENT				
2	4	844-057-002	NUT, STOVER LOCK, 5/16 - 18				
3	1	088-001-804	TIE PLATE				
4	4	948-761-112	WASHER, FLAT, 11/32 X 11/16 X 1/16				
5	8	809-857-125	SCREW, HEX, 5/16 - 18 X 3/4				
6	1	088-001-806	CHASSIS SUPPORT, DOMESTIC*				
7	4	844-049-002	NUT, STOVER LOCK, 1/4 - 20				
8	4	948-753-102	WASHER, FLAT, 9/32 X 5/8 X 1/16				
9	1	088-200-486	CHASSIS MOUNTING WLDMT, DOMESTIC*				
10	4	809-849-125	SCREW, HEX, 1/4 - 20 X 3/4				
11	4	835-549-002	NUT, HEX JAM, 1/4 - 20				
12	1	088-000-001-03	XLi CHASSIS w/BRAKE FUSE				
13	1	088-400-001-01	XLi CHASSIS w/BRAKE FUSE for SMARTGUARD-EQUIPPED PINSPOTTERS				
14	1	088-200-481	CHASSIS COVER, WIDE DUCT*				
15	3	711-520-012	GROMMET, 5/8 X 7/8 X 1/16				
16	2	812-840-082	SCREW, ROUND HEAD, 10 - 32 X 1/2				

\* FOR SMARTGUARD CHASSIS MOUNTING COMPONENTS, REFER TO THE *SMARTGUARD SAFETY SYSTEM MANUAL, 400-088-092*.